

4 ATU Lift System

The Aluminum Telescoping Upright (ATU) Lift System can be used with a variety of brackets, hardware, or other structural components to create a height adjustable workstation. With smooth telescoping movement and rigid structural integrity, the patented two-piece anodized aluminum extrusion was designed to support the application of our CE cylinders and crank or motor driven units. ATU lift systems have a 227 kg (500 lbs.) lift capacity.

System Includes

- A crank or motor drive system
- Two lift cylinders with ATU bracket
- Two ATU's
- Two flexible tubing sections 0.9m (3ft.) and 1.8m (6 ft.)



* See section 8, pg.17 for more crank handle options

Lift System Dimensions

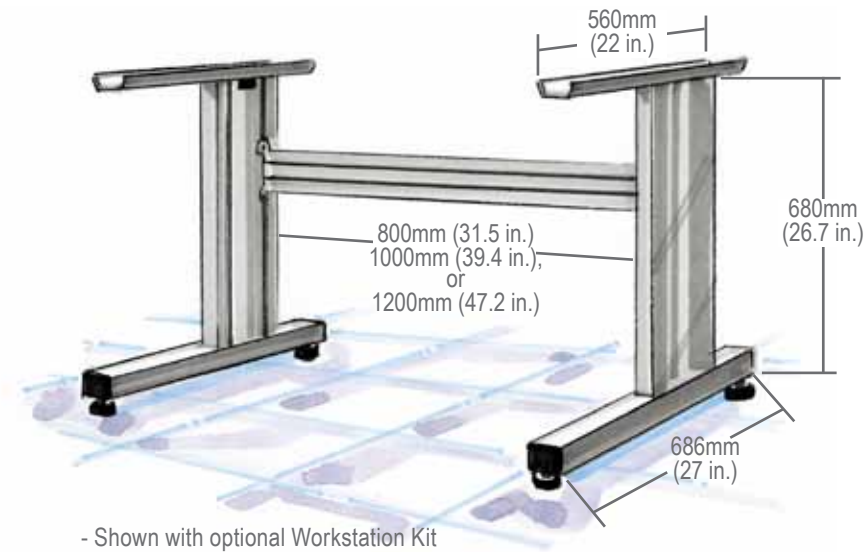
Adjustment Range* (mm / in.)	ATU Length (mm / in.)	Crank Driven System Part Number	Motor Driven Unit (120V) Part Number	Motor Driven Unit (230V)** Part Number	Includes Pump	Includes Cylinder (x2)
200 / 7.9	500 / 19.7	MLS-00060	MLS-00062	MLS-00064	Q2812	CE420
300 / 11.8	600 / 23.6	MLS-00061	MLS-00063	MLS-00065	Q2818	CE430

* The adjustment range is reduced for motorized systems by 6-8mm

** 230V System supplied with Schuko plug

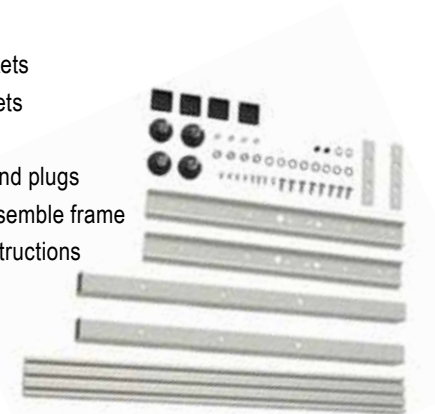
Workstation Components and Kits

The Movotec® ATU workstation components and kits are intended to be used with a Movotec® ATU Lift System to offer a complete height adjustable workstation solution. Workstation components can be purchased separately or as a complete Workstation Kit. The typical installation of the Movotec® ATU Workstation Kit is shown here.



Workstation Kit

- Includes:
- Two foot brackets
 - Two top brackets
 - Cross beam
 - All fasteners and plugs required to assemble frame
 - Installation instructions



800mm Cross Beam Kit - D44-00033
1000mm Cross Beam Kit - D44-00034
1200mm Cross Beam Kit - D44-00035

Workstation Configurations

The Movotec® Workstation Kits allows the workstation to be assembled in either a centered or cantilever configuration. (Tabletop not included)



Note: ATU Cross Beam, ATU Top Bracket & ATU Foot Bracket are available separately.