

# 3 Corner Leg System

Corner Leg Lift Systems are used with 40-45mm (1.6 in. - 1.8 in.) aluminum extrusion material to quickly and easily assemble a height adjustable table or work surface. Corner Leg systems come with four Corner Leg cylinders and hand-crank or motor drive unit.

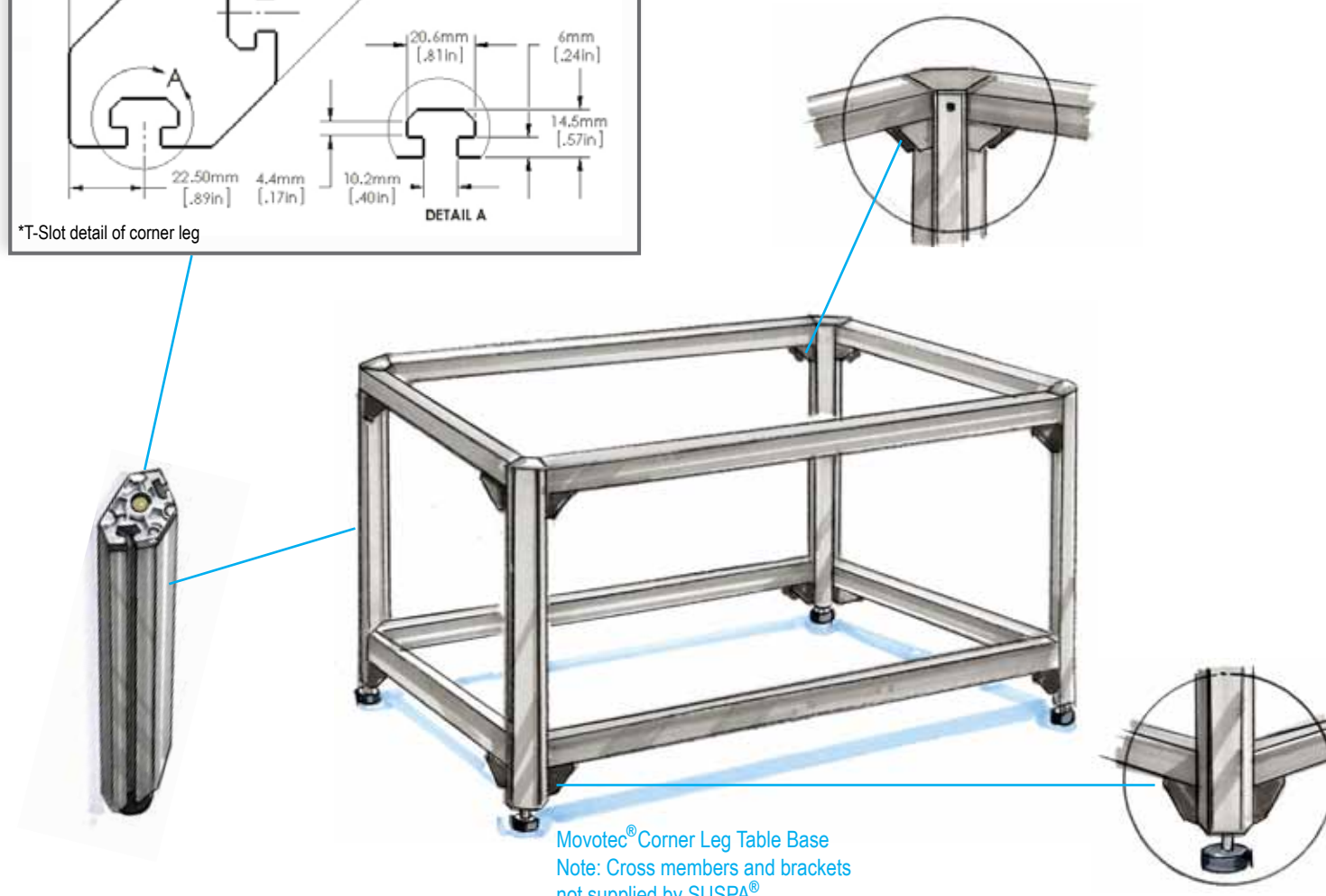
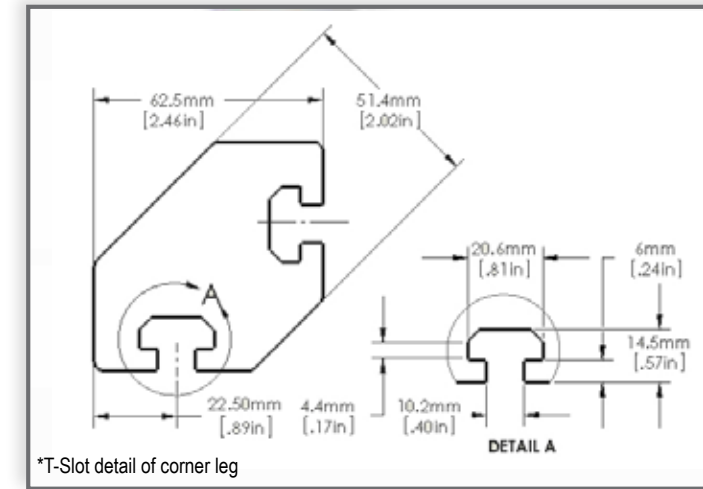
## System Includes

- A Crank or Motor Driven System with controller and switch
- Four Corner Leg Lift Cylinders
- Two 2.5m (8 ft.) and two 3m (10 ft.) sections of flexible tubing
- Four glides
- Tubing clips and cable ties
- Installation and operating instructions

Corner Leg Lift Systems are readily available and require minor assembly.



\* See section 8, pg.17 for more crank handle options



## Lift System Dimensions

System Lift Capacity (kg / lbs.)	Adjustment Range* (mm / in.)	Crank-Driven System Part Number	Motor-Driven System (120V) Part Number	Motor-Driven System (230V)** Part Number	Includes Pump	Includes Cylinders (x4)
340 / 750	150 / 5.9	MLS-00040	MLS-00044	MLS-00048	Q4809	CL450 (150)
340 / 750	200 / 7.9	MLS-00041	MLS-00045	MLS-00049	Q4812	CL450 (200)
340 / 750	300 / 11.8	MLS-00042	MLS-00046	MLS-00050	Q4818	CL450 (300)
340 / 750	400 / 15.7	MLS-00043	MLS-00047	MLS-00051	Q4824	CL450 (400)

\* The adjustment range is reduced for motorized systems by 6-8mm

\*\* 230V System supplied with Schuko plug

