

The 241 Series is an ideal product for a multitude of areas including Paint Spray Booths, Prep Areas, Inspection Areas, Sanding or Machining Areas, even where Grain or Coal Dust may be a concern. This 4 lamp 4' fixture is available in wattages including 32, 44, 54, and 60 watts with a rear access piano hinged door for easy access to lamps and ballast. Must be mounted hinge side up. LAMPS SOLD SEPARATELY.



SERIES	MODEL #	DESCRIPTION	OPTIONS
241	390241-3546	T8 32W, 4 Ft.	EM: Emergency Battery Backup - T8 5901: 8 Ft. 3-Wire Whip
	390241347-3125	T8 32W, 4 Ft.	
	390241-6747	T8 32W HLO, 4 Ft.	
	390241120-4157	T8 44W HO, 4 Ft.	
	390241277-3792	T8 44W HO, 4 Ft.	
	390241-4843	T5 54W HO, 4 Ft.	

(Multiple voltages available, consult factory)

LISTINGS

UL 844
 CSA 22.2 No. 137.0
 Paint Spray Listed
 UL 1598 Wet / Damp
 CSA 22.2 No. 250.0
 Class I D2 Groups A,B,C,D T3C 160°C
 Class II D2 Groups F,G T3C 160°C
 40°C ambient rating

FEATURES

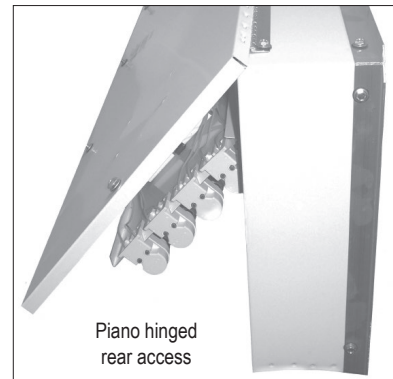
Piano hinged rear access fixture.
 20 gauge steel white powder coat housing
 Spring loaded lamp holders - Except T5HO

ELECTRICAL

Available in 32, 44, and 54 watts in
 T5HO, T8, and T8HO lamps.
 Voltages of 120, 277, and 347 Volts at 50/60Hz

OPTIONS

EM: Emergency battery backup ballast (ETL US only)
 120 or 277V MUST SPECIFY
 5901: 8 Ft. 3-wire whip
 Mounting Kits - ordered separately
 4692: Installation kit



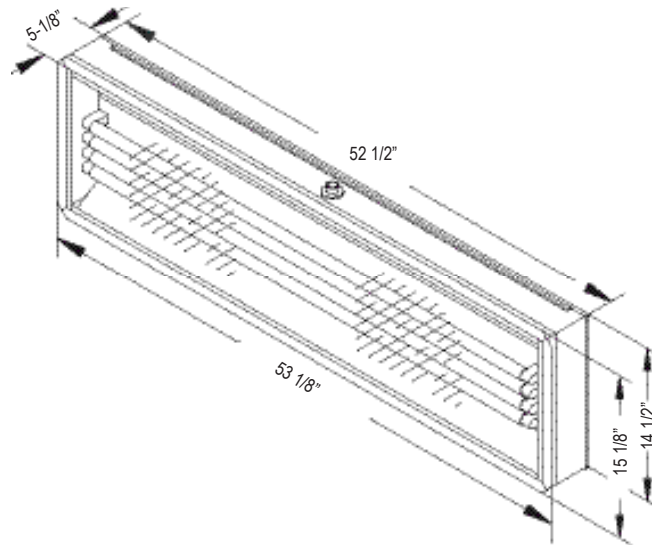
241

HAZARDOUS - BOOTH

Industrial • Paint Spray Booths • Prep, Inspection, Sanding Areas • Laboratories



DIMENSIONS

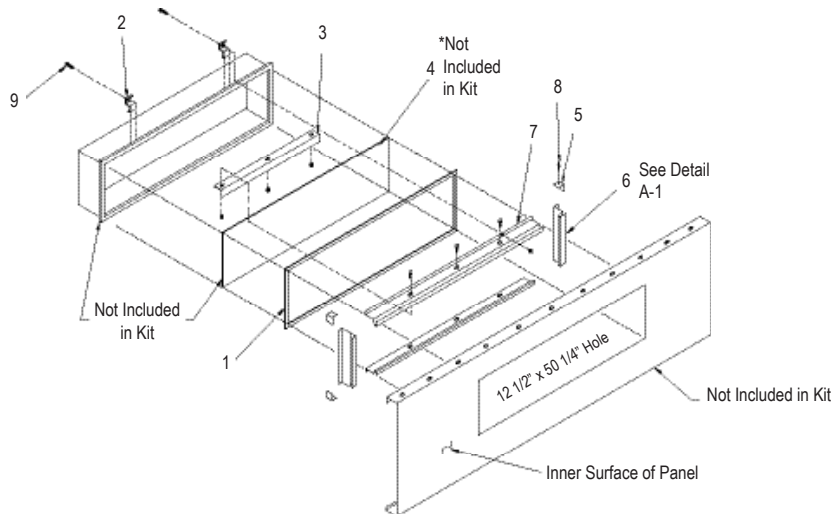
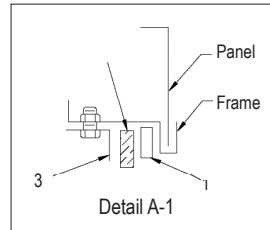


INSTALLATION

Part Number: 4692 Installation Kit

Item	Description	Qty.
1.	1/2" x 3/4" Gasket	12
2.	Light Clip	4
3.	Glass Clip	2
4.	Clear Tempered Glass 3/16" x 15" x 53"	1
	*Not included in kit. Ordered separately as P/N 1706	
5.	1 1/2" x 1 1/2" Corner Bracket	4
6.	Frame (15 3/4" Long)	2
7.	Frame (53 1/2" Long)	2
8.	1/8" Pop Rivet	8
9.	Nut Hex 1/4 - 20 Zinc Coated	10
	HHCS 1/4 - 20 Zinc Coated	10
	Installation Sketch	1

Installation Detail



The 260 and 261 Series is a product designed specifically for Paint Spray Booths. These 4 lamp 4' fixtures are available in 32 watts. The 260 Series allows for both Front and Rear access using a paint spray cutoff switch when the front door frame is opened. The 261 Series is a rear access only fixture and does not require paint spray cutoff. Must be mounted hinge side up. LAMPS SOLD SEPARATELY.



Model 260: Front and rear access



Model 261: Rear access only



SERIES	MODEL #	DESCRIPTION	OPTIONS
260	390260-3546	T8 32W, 4 Ft.	EM: Emergency Battery Backup - T8 5901: 8 Ft. 3-wire whip (261) 5902: 8 Ft. 5-wire whip (260)
	390260347-3125	T8 32W, 4 Ft.	
	390260-6747	T8 32W HLO, 4 Ft.	
261	390261-3546	T8 32W, 4 Ft.	
	390261347-3125	T8 32W, 4 Ft.	
	390261-6747	T8 32W HLO, 4 Ft.	

LISTINGS

UL 844
 CSA 22.2 No. 137.0
 Paint Spray Listed
 UL 1598 Wet / Damp
 CSA 22.2 No. 250.0
 Class I D2 Groups A,B,C,D T3C 160°C
 Class II D2 Groups F,G T3C 160°C
 40°C ambient rating

FEATURES

20 gauge steel construction with white powder coat housing which creates a durable, highly reflective finish.
 Housing styles for either front or rear accessibility in the Series 260, or rear access only in the Series 261.

LENS

3/16" clear tempered glass.

ELECTRICAL

Paint spray cutoff switch for the front door frame access of the 260 Series
 Available in 32 watts with T8 lamps
 Voltages of 120, 277 and 347 Volts at 50/60Hz

OPTIONS

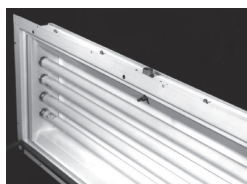
EM: Emergency battery backup ballast (ETL US only)
 120 or 277V - MUST SPECIFY
 Wire whip 8 Ft. - 5901: 3-wire (261) or 5902: 5-wire (260)
 Mounting Kits - ordered separately
 Panel stiffener kit #1704 (fits 18 gauge panels only)

NOTE

Normally open magnetic switches are intended to be used to trigger a relay (furnished by others) which disables the paint system. Because of the small capacity of the switch a solid state relay is recommended. It may be desired by others to utilize a separate power supply to segregate the relay (furnished by others) from the lighting power supply. The magnetic switch IS NOT designed to directly control light operation! The magnetic switch is rated for 10 watts resistive at a maximum of 300 VAC.

CAUTION

Overloading the switch circuits WILL cause failure.
 LDPI, Inc. recommends having a certified electrician/engineer review loads to ensure that overloading of switch does not occur.



Interlock Microswitch
 Model 260

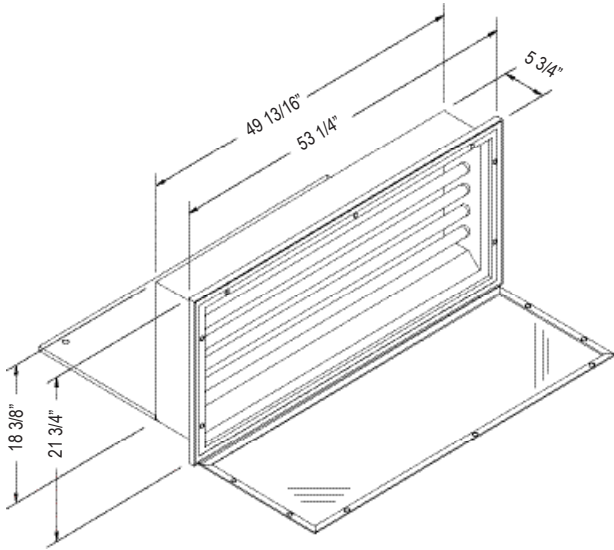
260-261

HAZARDOUS - BOOTH

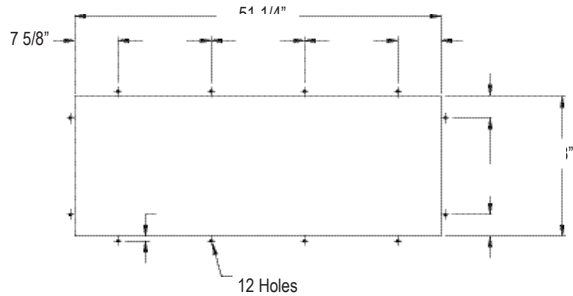
Industrial • Paint and Powder Booths • Blast Booths • Prep, Inspection, Sanding Areas



DIMENSIONS

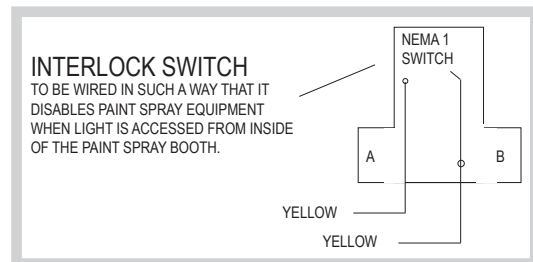
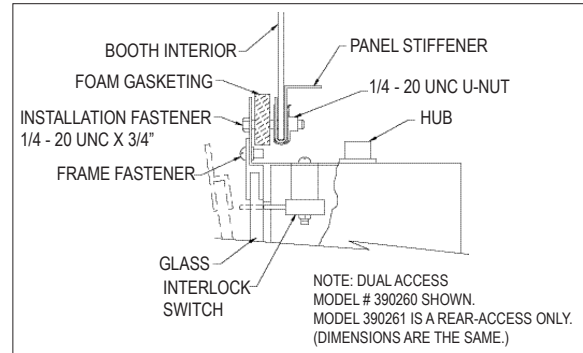
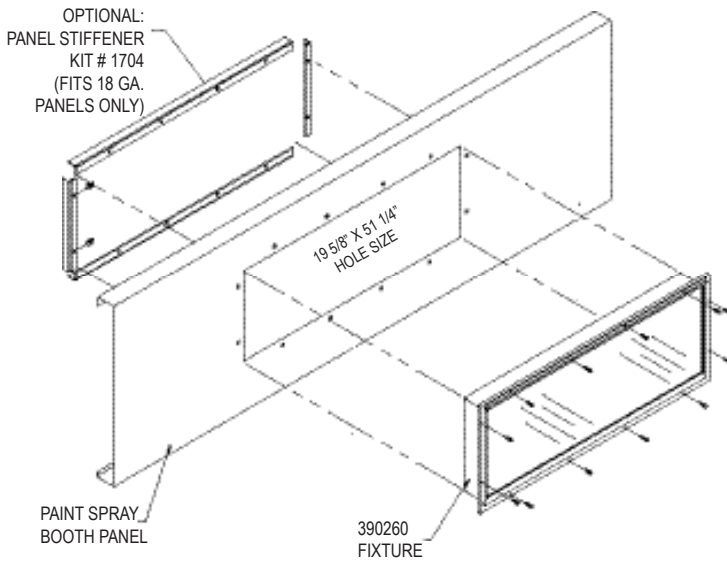


Rear Access Panel
Models 260 and 261



INSTALLATION

Part Number: 1704 Panel Stiffener and Interlock Switch



IMPORTANT:

Normally open magnetic switches are intended to be used to trigger a relay (furnished by others) which disables the paint system. Because of the small capacity of the switch, a solid state relay is recommended. It may be desired by others to utilize a separate power supply to segregate the relay (furnished by others) from lighting power supply. The magnetic switch is rated for 10 watts (resistive) at a maximum of 300 VAC. The magnetic switch is NOT designed to directly control light operation.

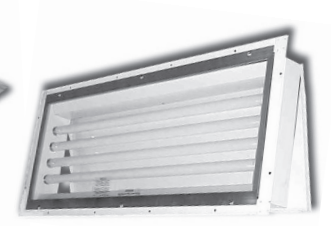
CAUTION: Overloading the switch circuits will cause failure.

LDPI® recommends having a certified electrician/engineer review circuit loads to insure that overloading of switch does not occur.

The 260 and 261 Series is a product designed specifically for Paint Spray Booths. These 4 lamp 4' fixtures are available in 32 watts. The 260 Series allows for both Front and Rear access using a paint spray cutoff switch when the front door frame is opened. The 261 Series is a rear access only fixture and does not require paint spray cutoff. Must be mounted hinge side up. LAMPS SOLD SEPARATELY.



Model 260: Front and rear access



Model 261: Rear access only



SERIES	MODEL #	DESCRIPTION	OPTIONS
260	390260-3546	T8 32W, 4 Ft.	EM: Emergency Battery Backup - T8 5901: 8 Ft. 3-wire whip (261) 5902: 8 Ft. 5-wire whip (260)
	390260347-3125	T8 32W, 4 Ft.	
	390260-6747	T8 32W HLO, 4 Ft.	
261	390261-3546	T8 32W, 4 Ft.	
	390261347-3125	T8 32W, 4 Ft.	
	390261-6747	T8 32W HLO, 4 Ft.	

LISTINGS

UL 844
 CSA 22.2 No. 137.0
 Paint Spray Listed
 UL 1598 Wet / Damp
 CSA 22.2 No. 250.0
 Class I D2 Groups A,B,C,D T3C 160°C
 Class II D2 Groups F,G T3C 160°C
 40°C ambient rating

FEATURES

20 gauge steel construction with white powder coat housing which creates a durable, highly reflective finish.
 Housing styles for either front or rear accessibility in the Series 260, or rear access only in the Series 261.

LENS

3/16" clear tempered glass.

ELECTRICAL

Paint spray cutoff switch for the front door frame access of the 260 Series
 Available in 32 watts with T8 lamps
 Voltages of 120, 277 and 347 Volts at 50/60Hz

OPTIONS

EM: Emergency battery backup ballast (ETL US only)
 120 or 277V - MUST SPECIFY
 Wire whip 8 Ft. - 5901: 3-wire (261) or 5902: 5-wire (260)
 Mounting Kits - ordered separately
 Panel stiffener kit #1704 (fits 18 gauge panels only)

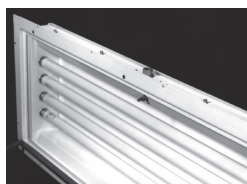
NOTE

Normally open magnetic switches are intended to be used to trigger a relay (furnished by others) which disables the paint system. Because of the small capacity of the switch a solid state relay is recommended. It may be desired by others to utilize a separate power supply to segregate the relay (furnished by others) from the lighting power supply. The magnetic switch IS NOT designed to directly control light operation! The magnetic switch is rated for 10 watts resistive at a maximum of 300 VAC.

CAUTION



Overloading the switch circuits WILL cause failure.
 LDPI, Inc. recommends having a certified electrician/engineer review loads to ensure that overloading of switch does not occur.



Interlock Microswitch
 Model 260

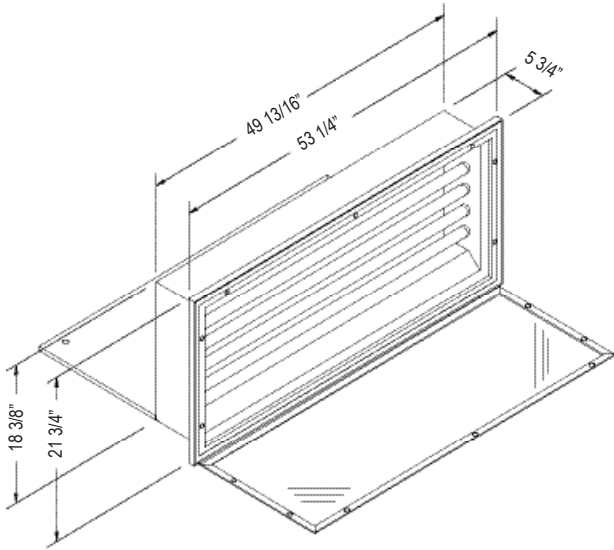
260-261

HAZARDOUS - BOOTH

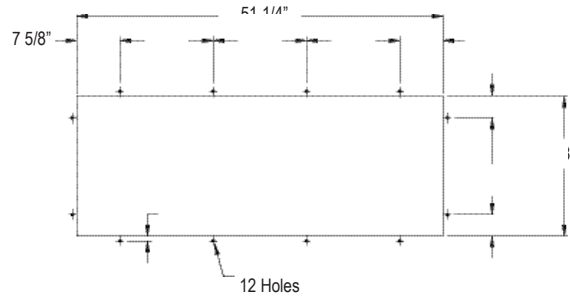
Industrial • Paint and Powder Booths • Blast Booths • Prep, Inspection, Sanding Areas



DIMENSIONS

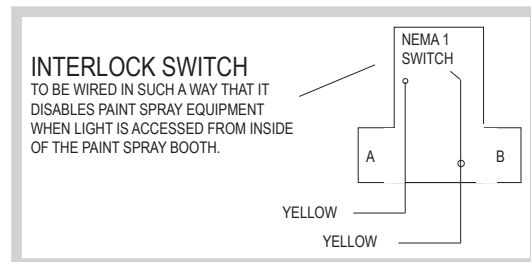
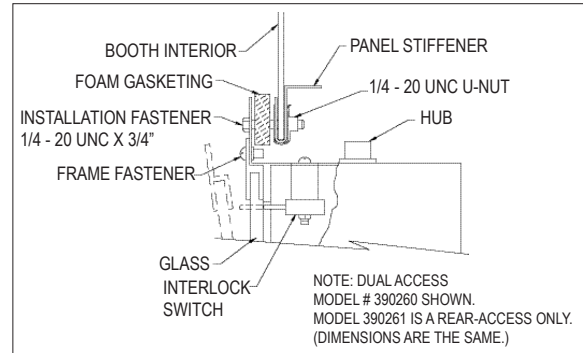
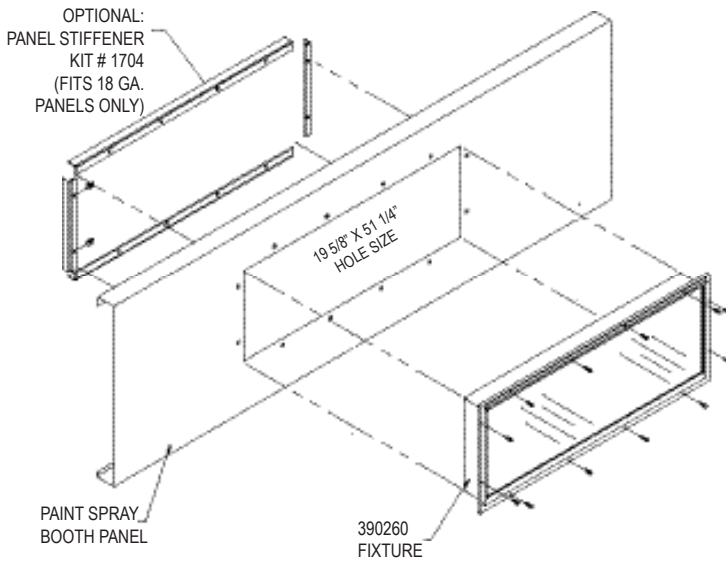


Rear Access Panel
Models 260 and 261



INSTALLATION

Part Number: 1704 Panel Stiffener and Interlock Switch



IMPORTANT:

Normally open magnetic switches are intended to be used to trigger a relay (furnished by others) which disables the paint system. Because of the small capacity of the switch, a solid state relay is recommended. It may be desired by others to utilize a separate power supply to segregate the relay (furnished by others) from lighting power supply. The magnetic switch is rated for 10 watts (resistive) at a maximum of 300 VAC. The magnetic switch is NOT designed to directly control light operation.

CAUTION: Overloading the switch circuits will cause failure.

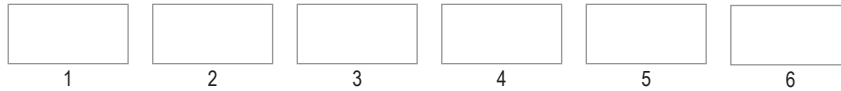
LDPI® recommends having a certified electrician/engineer review circuit loads to insure that overloading of switch does not occur.

The 380 Series is a must for any explosive atmosphere location! This product has five different hub entries at each end, enabling the installer to wire the fixture at more desirable angles. Center ballast placement provides a more balanced fixture for ease of installation and weight distribution. The 380 Series is available in 2' & 4' lengths for 2, 3, & 4 lamp combinations in T5, T5HO, T8, T8HO. Lamps included.



Additional Applications:

Coal Storage • Drill Rigs • Paint and Powder Booths • Refineries



1 SERIES	2 LAMP TYPE	3 LAMP QUANTITY	4 LENGTH	5 VOLTAGE	6 OPTIONS
380	T5** T5HO*† T8*† T8HO**	2L: 2 Lamp† 3L: 3 Lamp† 4L: 4 Lamp†	2: 2 Ft. 4: 4 Ft.†	UNV: Universal Voltage† 120-277V, 50/60Hz 347: 347V 50/60Hz	EM: Battery/Driver Backup (90 Min.) T8/T8HO, 4 Ft. 2 lamp, U.S. UL only HB: 93% Reflective specular reflector insert P: Polycarbonate Shield WG: Stainless Steel Guard

Notes:

- *5000K lamp standard for T5HO and T8 lamps
- **4100K lamp standard for T8HO and T5 lamps
- All T5, T5HO, T8, and T8HO are universal voltage
- **T8HO Lamp Type not available in 2 Ft. fixture.
- *347 Volt only available in T5HO and T8.
- 3 and 4 Lamp fixtures not available in 2 Ft. length.
- 3 lamp fixtures not available in T5 or T8HO
- † Normally stocked.
- Consult factory for non-standard fixtures

Lamp Wattages			
2 Ft.	Watts	4 Ft.	Watts
T5	14	T5	28
T5HO	24	T5HO	54
T8	17	T8	32
T8HO	n/a	T8HO	44

Operating Temperature Codes Based on 40°C Ambient

Class I, Div. 1 Groups C and D	T6 = 85°C
Class I, Div. 2 Groups A, B, C, D	T4 = 135°C
Class II, Div. 1 Groups E, F, G	T4 = 135°C
Class III	T4 = 135°C
Simultaneous Presence Class I and II	T4 = 135°C

LISTINGS

- UL 844
- Cl D1 Groups C and D T6 85°C
- Cl D2 Groups A,B,C,D T4 135°C
- CII D1 Groups E,F,G T4 135°C
- CII D2 Groups E,F,G T4A 135°C
- CIII T4A 135°C
- Class I and II simultaneous presence T4 135°C
- Zone 1, Group IIA, IIB
- CSA 22.2 No. 137.0
- Paint Spray Listed
- UL 1598A Marine Outside
- UL 1598 Wet / Damp
- CSA 22.2 No. 250.0
- 20°C to 40°C Ambient Rating

FEATURES

- Factory sealed, cast natural aluminum (U.S. Foundry) that is lightweight.
- Ballast mounted in the center for better balance and low profile.
- (5) 1/2" NPT Hubs located at 0°, 45° and 90° angles.

REFLECTOR

One piece painted aluminum reflector

LENS

.189" wall Borosilicate glass tubes

ELECTRICAL

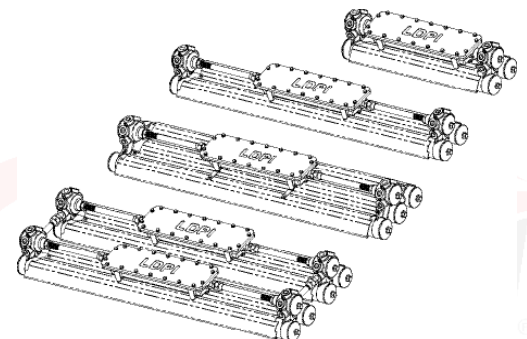
Available in 14, 17, 24, 28, 32, 44, and 54 watts
120-277 Volts (T5, T5HO, T8, and T8HO only)
347 Volts (T5HO and T8 only)

OPTIONS

Optional polycarbonate shield and stainless steel guard.
EM: Battery/Driver Backup (90 Min.) - T8/T8HO, 4 Ft. 2 lamp U.S. UL Only
HB: 93% reflective specular reflector insert

WEIGHTS

- 2 Lamp 2 Ft. Fixture
Fixture Weight: 30#
Shipping Weight: 33#
- 2 Lamp 4 Ft. Fixture
Fixture Weight: 40#
Shipping Weight: 43#
- 2 Lamp 4 Ft. Fixture (EMERGENCY)
Fixture Weight: 57#
Shipping Weight: 60#
- 3 Lamp 4 Ft. Fixture
Fixture Weight: 45#
Shipping Weight: 52#
- 4 Lamp 4 Ft. Fixture
Fixture Weight: 80#
Shipping Weight: 84#



380

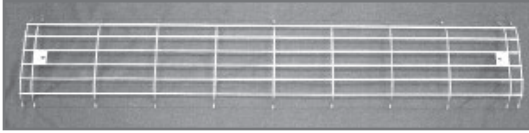
EXPLOSION PROOF

Chemical Processing • Grain Processing • Metals & Mining • Oil / Gas • Water Treatment



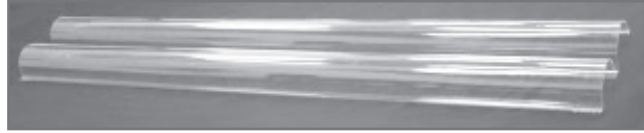
OPTIONS

STAINLESS STEEL GUARDS
(Not for use in paint spray applications)



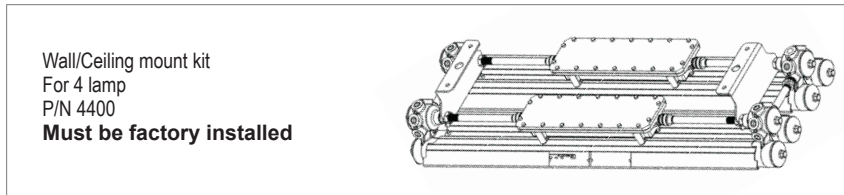
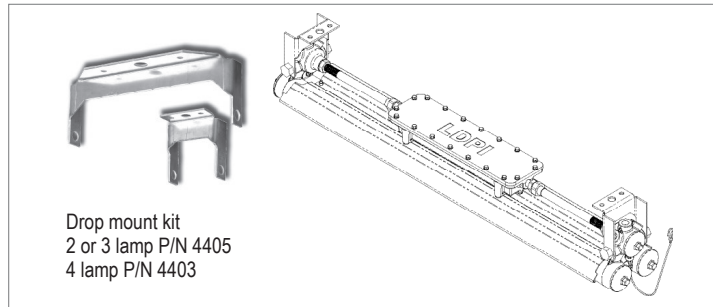
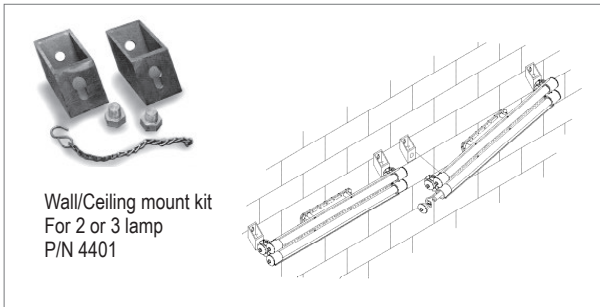
Description	Catalog Number
2-Lamp 2-Ft. Fixtures	4466
2-Lamp 4-Ft. Fixtures	4211
3-Lamp 4-Ft. Fixtures	4557
4-Lamp 4-Ft. Fixtures	(2) 4211

POLYCARBONATE SHIELDS
(+/- 1/16" thickness)



Description	Catalog Number
2-Lamp 2-Ft. Fixtures	4464
2-Lamp 4-Ft. Fixtures	4209
3-Lamp 4-Ft. Fixtures	4497
4-Lamp 4-Ft. Fixtures	(2) 4209

MOUNTING OPTIONS



EMERGENCY BATTERY BACK-UP BALLAST

LISTINGS

UL 844, 924, 1598A, 1598
Listed and labeled for hazardous locations
Class I Div. 1, Groups C and D, Class I Div. 2, Groups C and D
Class II Div. 1 and 2, Groups E, F and G.
Simultaneous presence of Class I and II
Class III, Class I, Zone 1, Groups IIA and IIB
Emergency lighting equipment for hazardous locations.
Non recessed marine luminaire, outside type (salt water).
Lumen output varies per lamp selection.
Equivalent to NEMA 4X requirements for hose-down and corrosion resistance.
Listed and labeled for use inside paint spray booths and rooms.
Meets requirements for NFPA 33 and NEC Article 516.
NEMA 3, 4X 7CD, 9EFG.

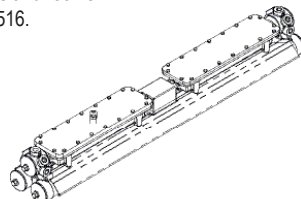


FEATURES OF EMERGENCY BACK-UP BALLAST

Only available as 4 Ft. 2 lamp fixture
Vented battery compartment
Explosion proof test switch and charging indicator light
Minimum starting temperature 0° C (32° F)
Maintenance free emergency ballast/battery pack/charger
575 Lumen operation
3 year warranty

OPERATION

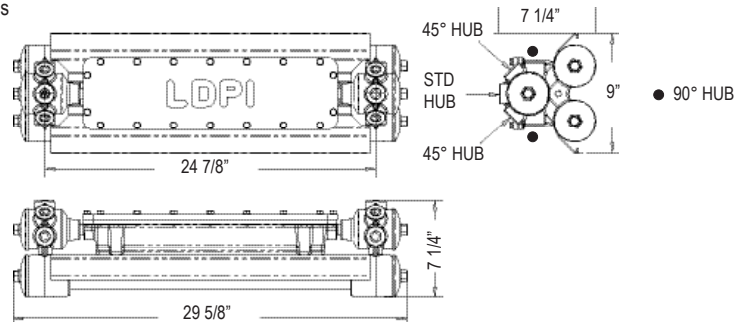
Operates normally on 120V, 277V, 60 Hz or 220V 50 Hz
When power fails the fixture automatically switches to emergency mode. In emergency mode one lamp will provide safe egress lighting for at least 90 minutes.
The fixture switches to charging mode and resumes normal lighting once AC power is restored.



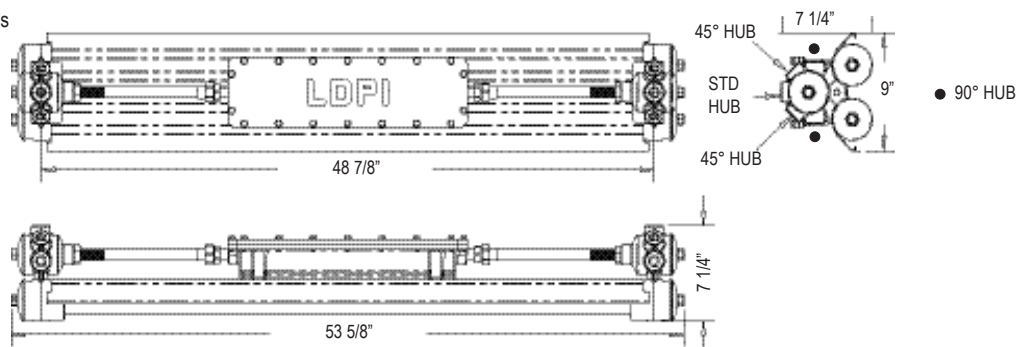
Chemical Processing • Grain Processing • Metals & Mining • Oil / Gas • Water Treatment

DIMENSIONS AND HUBS

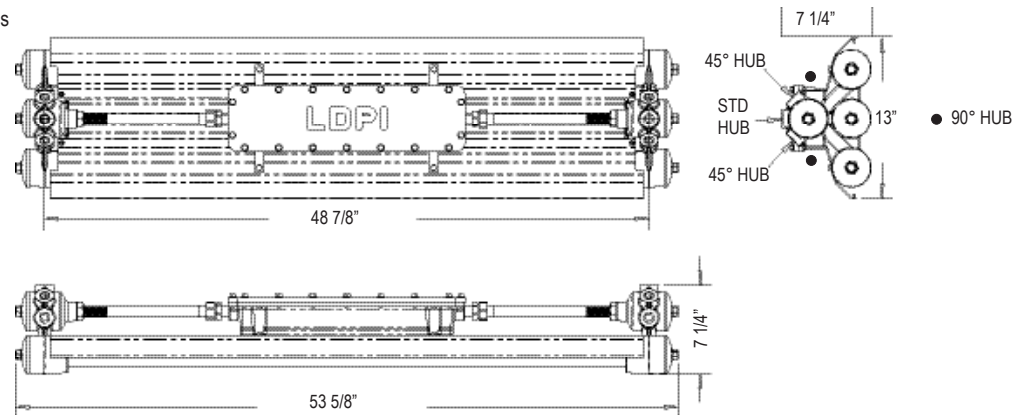
2L 2FT. Dimensions



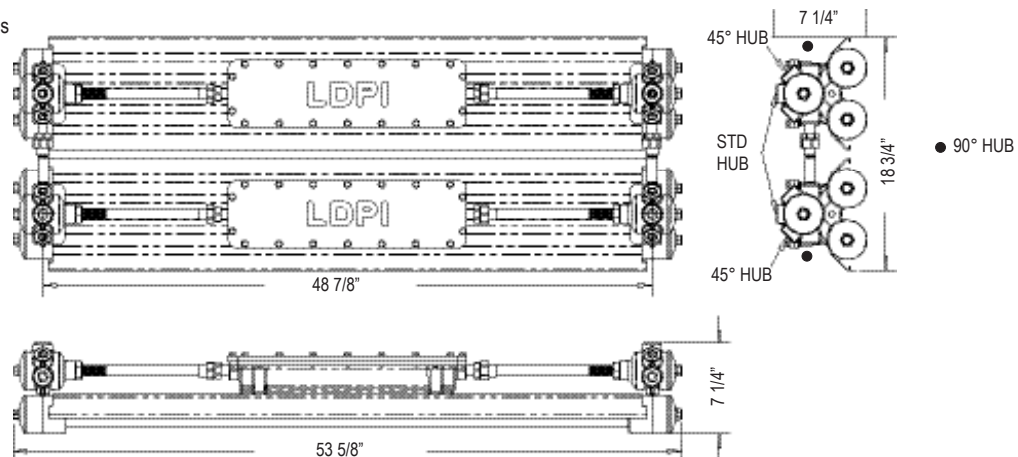
2L 4FT. Dimensions



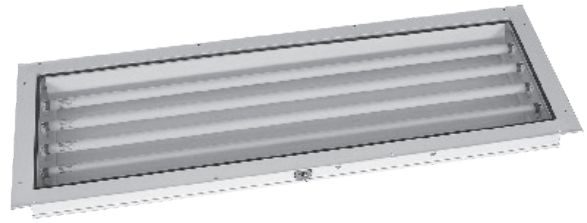
3L 4FT. Dimensions



4L 4FT. Dimensions



The 400 Series Rear Access product is an ideal paint spray booth product when a rear access fixture is desired. This series now has a 2' fixture as well as the 4' fixture cataloged. The 4' fixture comes in 2, 4 & 6 lamp with the following lamp options: T8 32W and T5HO 54W lamps. The 2' - 3 lamp fixture uses (3) T8 17W lamps. LAMPS SOLD SEPARATELY.



SERIES	MODEL #	DESCRIPTION	OPTIONS
400	390231-3546	3 Lamp T8 17W, 2 Ft.	EM: Battery/Driver Backup (90 Min.) T8/T8HLO (120V & 277V) U.S. ETL/UL only 5901: 8 Ft. 3-Wire Whip
	390421-3613	2 Lamp T8 32W, 4 Ft.	
	390421-6975	2 Lamp T8 32W HLO, 4 Ft.	
	390421-3265	2 Lamp T5 54W HO, 4 Ft.	
	390441-3546	4 Lamp T8 32W, 4 Ft.	
	390441-6747	4 Lamp T8 32W HLO, 4 Ft.	
	390441-4843	4 Lamp T5 54W HO, 4 Ft.	
	390461-3546	6 Lamp T8 32W, 4 Ft.	
	390461-7059	6 Lamp T8 32W HLO, 4 Ft.	
	390461-3265	6 Lamp T5 54W HO, 4 Ft.	

LISTINGS

UL 844
 CSA 22.2 No. 137.0
 Paint Spray Listed
 UL 1598 Wet / Damp
 CSA 22.2 No. 250.0
 Class I D2 Groups A,B,C,D T3C 160°C
 Class II D2 Groups F,G T3C 160°C
 NFPA 33
 40°C ambient rating

FEATURES

Piano hinged rear access fixture - easy relamping
 Telescopic/spring loaded lamp holders
 20 gauge (enclosed and gasketed) steel construction
 with white powder coat housing which creates a durable, highly reflective finish.

LENS

3/16" clear tempered glass.

ELECTRICAL

Available in 2 Ft. 17 watt T8 lamps and
 4 Ft. 32, 44 and 54 watts, T8, T8HLO and T5HO lamps.
 Voltages of 120, 277, 347 and 480 at 50/60Hz

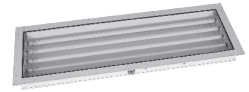
OPTIONS

5901: 8 Ft. 3-wire whip

400

HAZARDOUS - BOOTH

Industrial • Clean Rooms • Paint and Powder Booths • Prep, Inspection, Sanding Areas



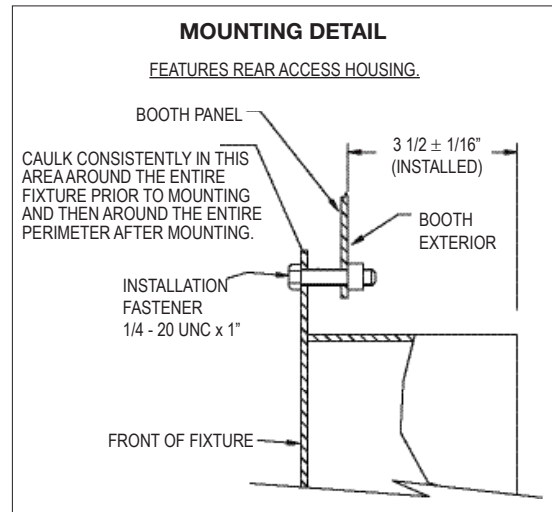
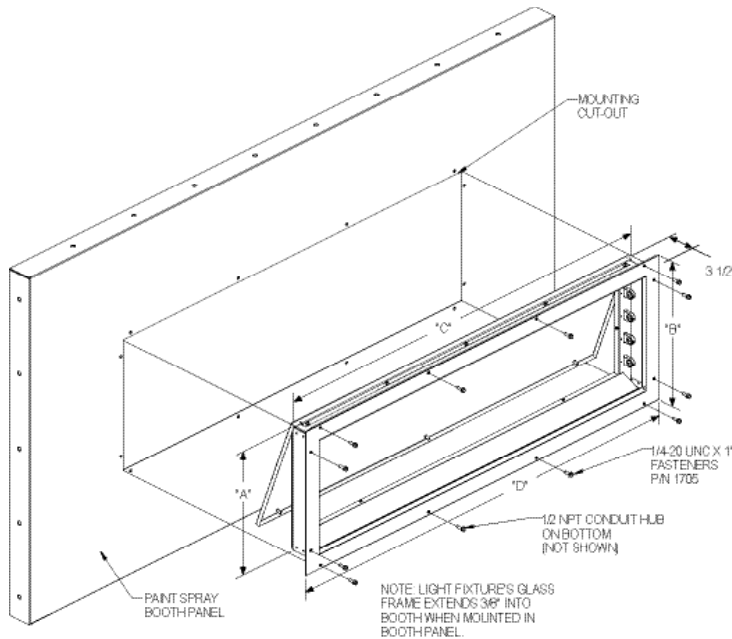
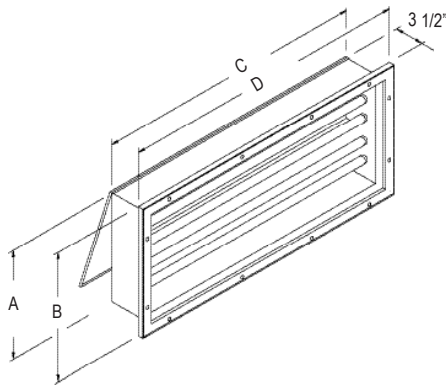
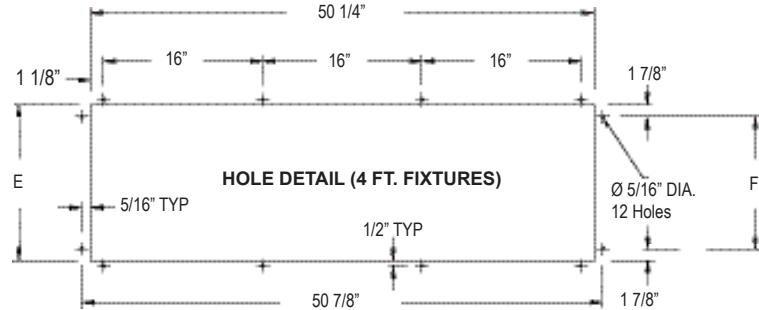
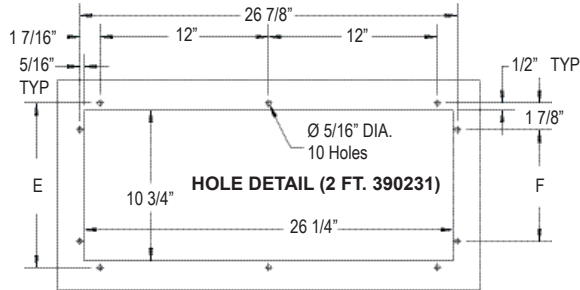
DIMENSIONS AND MOUNTING

Notes:

Multiple voltages available, consult factory.

Fixture dimensions are nominal. Cut-out dimensions are actual.

MODEL	FIXTURE DIMENSIONS				MOUNTING DIMENSIONS	
	A	B	C	D	E	F
390231	10 1/2"	12 1/2"	26"	28 3/8"	11 3/4"	8"
390421	10 1/2"	12 1/2"	50 1/4"	52 3/8"	10 3/4"	7"
390441	15 1/2"	17 1/2"	50 1/4"	52 3/8"	15 3/4"	12"
390461	20 1/2"	22 1/2"	50 1/4"	52 3/8"	20 3/4"	17"



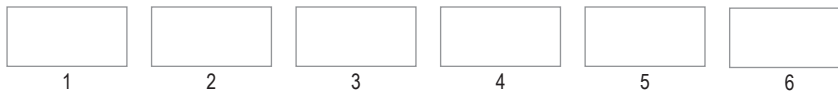


400SLB

HAZARDOUS - BOOTH

Industrial • Paint and Powder booths • Blast Booths • Prep, Inspection, Sanding Areas

The 400SLB Series Inside Access fixture features a 20 gauge powder coated, shallow steel housing that is 2" deep. This 4 Ft. fixture is available as a 4 or 6 lamp fixture with T8 and T5HO lamping options. This series provides front door fixture access with a completely removable lens assembly and comes with a paint spray cutoff switch. LAMPS SOLD SEPARATELY.



1 SERIES	2 LAMP TYPE	3 LAMP QUANTITY
400SLB	T5HO: 54W T8: 32W	4L: 4 Lamps 6L: 6 Lamps
4 VOLTAGE	5 FINISH	6 REFLECTOR
UNV1: 120-277V 50/60Hz UNV2: 347-480V 50/60Hz (T5HO only)	PC: Powder Coated Steel SS: Stainless Steel Powder Coated White AS: Aluminized Steel	PR: White Powder Coat HB: High Brightness Reflector

LISTINGS

UL 844
CSA 22.2 No. 137.0
Paint Spray Listed
UL 1598 Wet / Damp
CSA 22.2 No. 250.0
Class I D2 Groups A,B,C,D T4 135°C
Class II D2 Groups F,G T4 135°C
40°C ambient rating

FEATURES

20 gauge steel construction with a powder coat finish
Front access housing for convenient relamping and servicing

LENS

3/16" clear tempered glass

ELECTRICAL

Voltages of 120-277, 347-480 (T5HO only)

OPTIONS

3 Ft. 5-wire whip
Stainless steel powder coated white housing
Aluminized steel housing
High brightness reflector

NOTE

Normally open magnetic switches are intended to be used to trigger a relay (furnished by others) which disables the paint system. Because of the small capacity of the switch a solid state relay is recommended. It may be desired by others to utilize a separate power supply to segregate the relay (furnished by others) from the lighting power supply. The magnetic switch IS NOT designed to directly control light operation! The magnetic switch is rated for 10 watts resistive at a maximum of 300 VAC.

CAUTION



Overloading the switch circuits WILL cause failure.
LDPI, Inc. recommends having a certified electrician/engineer review loads to ensure that overloading of switch does not occur.



400SLB

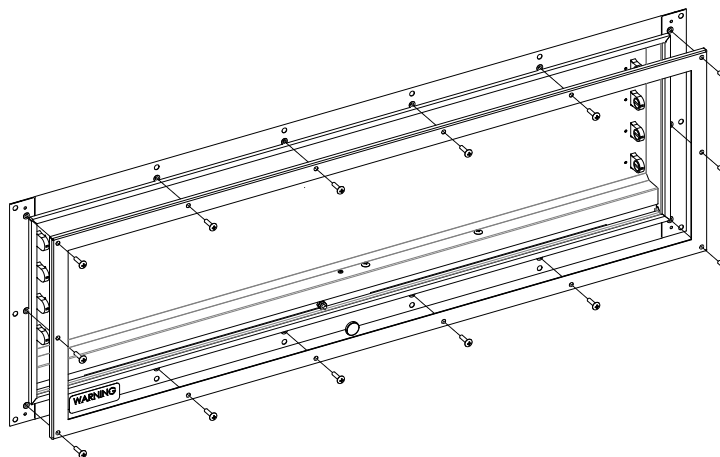
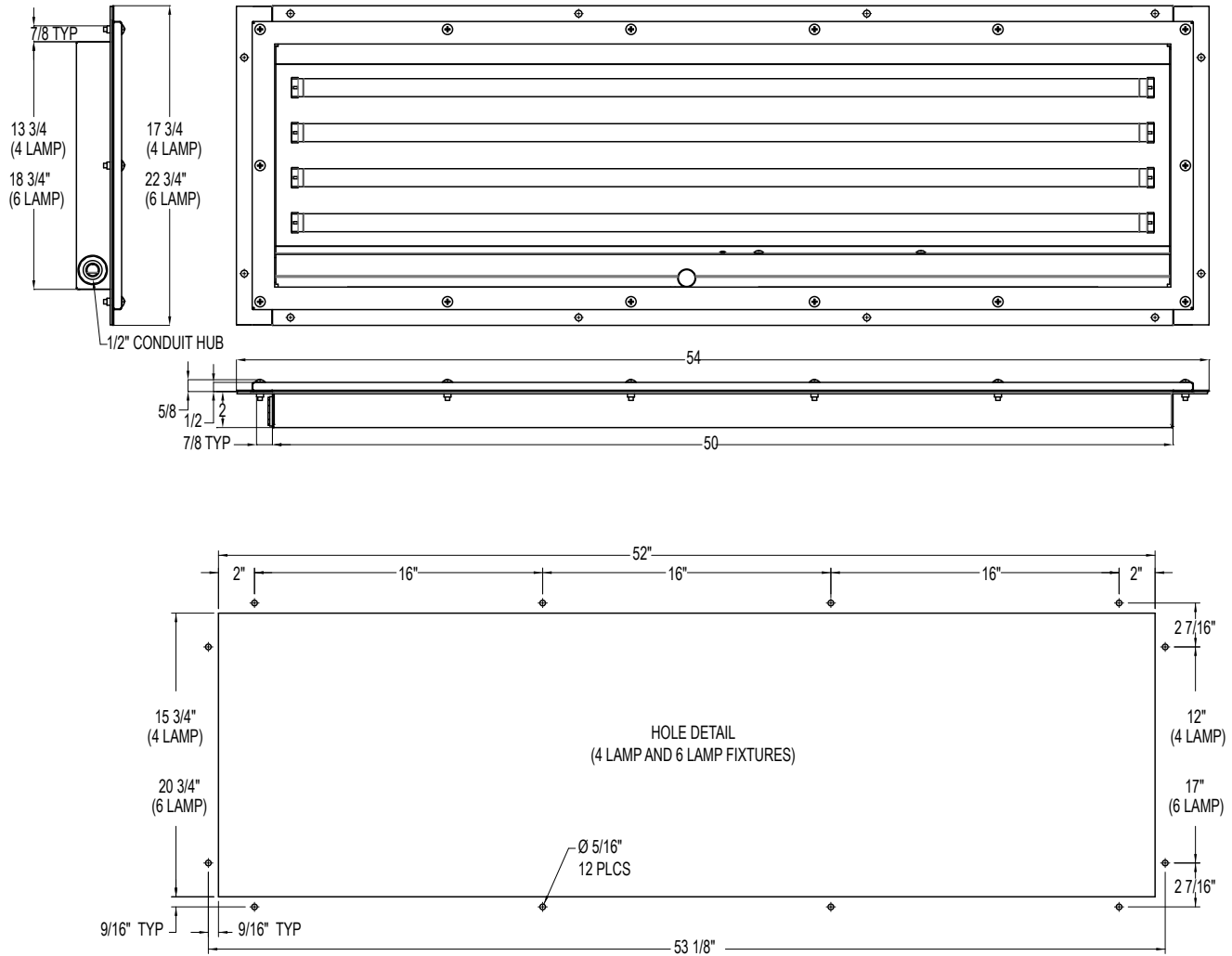
HAZARDOUS - BOOTH

Industrial • Paint and Powder booths • Blast Booths • Prep, Inspection, Sanding Areas



DIMENSIONS

Fixture dimensions are nominal. Cut-out dimensions are actual.





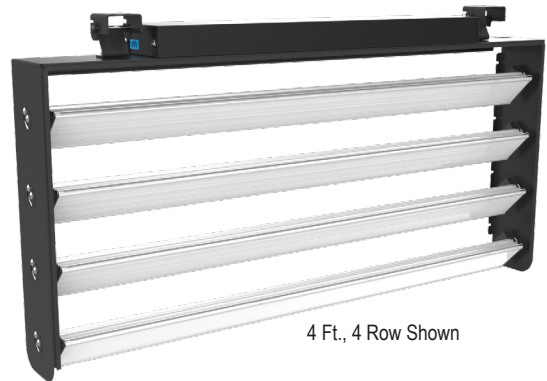
LE155H

ORDINARY LOCATION - HANGING MOUNT

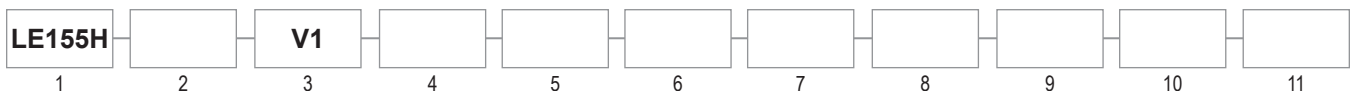
Industrial • Booth Lighting • Task Lighting • Commercial & Institutional Facilities

The LE155H is designed and listed for ordinary locations where vertical lighting is required. This product is ideal for task, and paint booth (behind the glass) applications. Compact design with amiable LED's allow for focusing the light to illuminate the task.

The Hanging Mount option utilizes a frame that can house up to 4 light bar modules. Utilizing an easy mount system, the mounting adapter is attached to the structure and the frame has tabs that allow the fixture to be easily hung on the adapters for quick installation. Each individual Light Bar Module can be positioned for optimal illumination.



4 Ft., 4 Row Shown



1 SERIES	2 SOURCE*	3 VOLTAGE	4 DIMMING*	5 CCT	6 LENS	7 LENGTH	8 ROWS
LE155H	S: Standard H: High *See Performance Table	V1: 120-277VAC (50/60Hz)	Blank: None D1: 0-10V (See Table A) D2: DALI (See Table B) *Cabling Ordered Separately	3: 3,000K 4: 4,000K 5: 5,000K	C: Clear D: Diffused	2: 2 Ft. 4: 4 Ft. 6: 6 Ft. 8: 8 Ft.	1: 1 Row 2: 2 Row 3: 3 Row* 4: 4 Row* *Not available in 8ft. length
9 THROUGH-FEED (TF)		10 POWER CORD*		11 OPTIONS			
Blank*: No Through-Feed Wiring TF†: Through-Feed Wiring †Power cable required to begin TF series. Connectors and cabling sold separately. See power/cabling info. Note: Quantity of power cords is determined by through-feed.		Blank: No cord. Field wiring required. CP0: Cord 5.5 Ft. / Plug: None CP1: Cord 6 Ft. / Plug: NEMA L5-15P CP2: Cord 6 Ft. / Plug: NEMA L7-15P CP3: Cord 6 Ft. / Plug: NEMA 5-15P CP4: Cord 6 Ft. / Plug: NEMA 7-15P * DALI (D2) dimming requires power cables ordered separately		EM: Battery/Driver Backup (90Min.) UL924 SP: 10Kv Surge Protector WC: Wireless Control OC: Occupancy Sensor			

CERTIFICATIONS

UL1598 / CSA 22.2 No.250.0 (Ordinary)
Lumen Maintenance (L70): >60,000 hrs. (reported)
CRI >80
-40°C to 40°C Ambient Rating

CONSTRUCTION

20 Gauge steel and aluminum housing
Powder coat black finish
Polycarbonate lens
Clear or Diffused impact resistant lens
Weights: See dimensions table

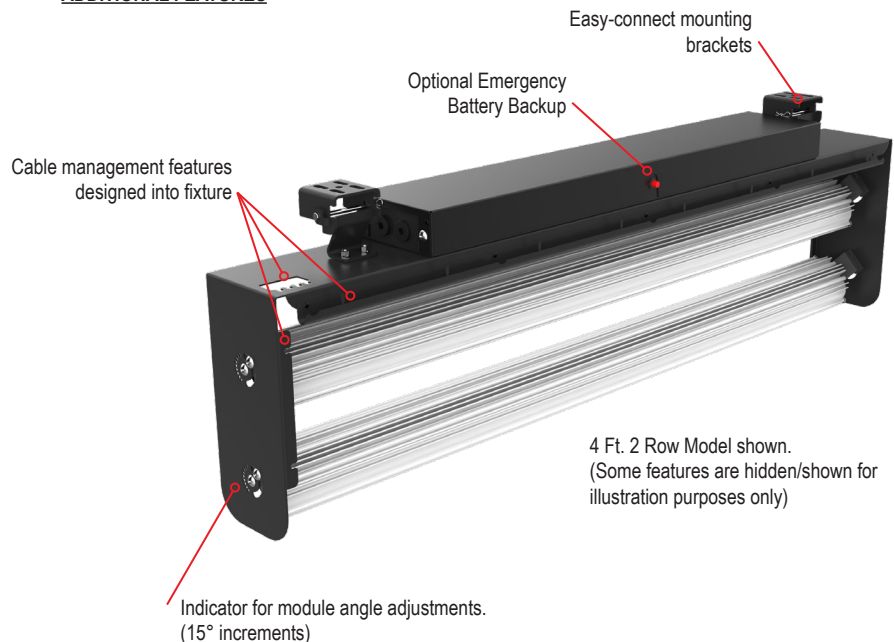
ELECTRICAL

120-277VAC
Power cords: 16/3 SOOW, .38" Dia, 600V
0-10V or DALI Dimming available

FEATURES

Sleek
Hanging Mount
(Min. Clearance of 2" Required)
Adjustable module angle (120°)

ADDITIONAL FEATURES



4 Ft. 2 Row Model shown. (Some features are hidden/shown for illustration purposes only)

LE155H

ORDINARY LOCATION - HANGING MOUNT

Industrial • Booth Lighting • Task Lighting • Commercial & Institutional Facilities



ELECTRICAL PERFORMANCE

Row	Source	2 Ft. Fixture		4 Ft. Fixture		6 Ft. Fixture		8 Ft. Fixture	
		Watts (W)	Input Current 120-277VAC (A)	Watts (W)	Input Current 120-277VAC (A)	Watts (W)	Input Current 120-277VAC (A)	Watts (W)	Input Current 120-277VAC (A)
1 Row	S	28	.23 - .10	55	.48 - .22	84	.70 - .30	110	.94 - .42
	H	35	.29 - .13	70	.60 - .27	107	.89 - .39	140	1.19 - .53
2 Row	S	55	.46 - .20	110	.94 - .42	164	1.37 - .59	220	1.85 - .81
	H	70	.58 - .25	140	1.19 - .53	209	1.74 - .75	280	2.35 - 1.03
3 Row	S	83	.69 - .30	165	1.40 - .62	244	2.04 - .88		
	H	105	.88 - .38	210	1.77 - .78	311	2.59 - 1.12		
4 Row	S	110	.92 - .40	220	1.85 - .81	325	2.70 - 1.17		
	H	140	1.17 - .51	280	2.35 - 1.03	413	3.44 - 1.49		

LUMEN PERFORMANCE

Row	Source	CCT	2 Ft. Fixture		4 Ft. Fixture		6 Ft. Fixture		8 Ft. Fixture	
			Lumens (Lm) (Nominal values)							
			Clear	Diffused	Clear	Diffused	Clear	Diffused	Clear	Diffused
1 Row	S	3,000K	3246	2920	6500	5840	9650	8750	12990	11310
		4,000K								
		5,000K	3490	3140	6990	6280	10380	9410	13970	12160
	H	3,000K	4050	3640	8090	7270	12130	11000	16180	14550
		4,000K								
		5,000K	4350	3910	8700	7820	13040	11830	17400	15640
2 Row	S	3,000K	6500	5840	12990	11680	19310	17520	25980	23350
		4,000K								
		5,000K	6990	6280	13970	12560	20760	18840	27940	25110
	H	3,000K	8090	7270	16180	14550	20040	21820	32360	29090
		4,000K								
		5,000K	8700	7820	17400	15640	25850	23460	34800	31280
3 Row	S	3,000K	9750	8760	19490	17510	28950	26270		
		4,000K								
		5,000K	10480	9420	20960	18830	31130	28250		
	H	3,000K	12140	10910	24270	21820	36070	32730		
		4,000K								
		5,000K	13050	11730	26100	23460	38780	35190		
4 Row	S	3,000K	12990	11670	25980	23350	38600	35030		
		4,000K								
		5,000K	13970	12550	27940	25110	41510	37670		
	H	3,000K	16180	14550	32360	29090	48090	43640		
		4,000K								
		5,000K	17400	15640	34800	31280	51710	46920		

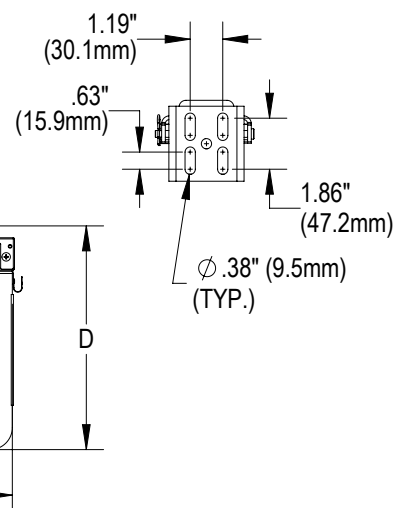
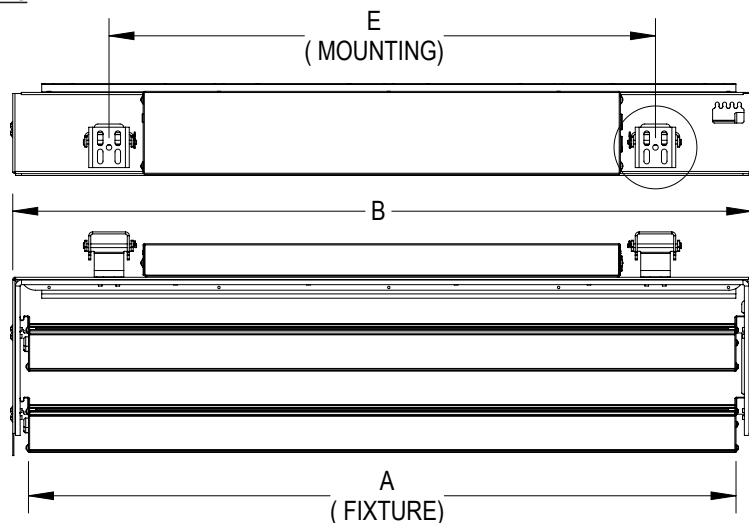


LE155H

ORDINARY LOCATION - HANGING MOUNT

Industrial • Booth Lighting • Task Lighting • Commercial & Institutional Facilities

DIMENSIONS



Fixture A	# of rows	Dimensions (Nominal) in. (mm)				Weight (lbs.)
		B	C	D	E	
2 Ft.	1	28.0 (711)	5.6 (142)	9.7 (246)	23.5 (597)	13.0
	2			15.2 (386)		17.5
	3			20.7 (526)		27.0
	4			26.2 (665)		42.0
4 Ft.	1	50.1 (1272)	5.6 (142)	9.7 (246)	37.0 (939.8)	25.5
	2			15.2 (386)		35.0
	3			20.7 (526)		54.5
	4			26.2 (665)		83.5
6 Ft.	1	72.13 (1832)	5.6 (142)	9.7 (246)	56 (1422)	38.0
	2			15.2 (386)		52.5
	3			20.7 (526)		81.5
	4			26.2 (665)		125.0
8 Ft.	1	100.63 (2556)	5.6 (142)	9.7 (246)	87.5 (2223)	51.5
	2			15.2 (386)		100.0

Power / Cabling Instructions

Through-Feed cables are required to link fixtures. Each series of fixtures will require a power source (cord). Number of fixtures that can be linked is based on the fixture configuration and length of cables. All cables ordered separately. Consult sales for more information.

Through-Feed Cables 3-Pole (Non-DALI)		Through-Feed Cables 5-Pole (DALI)	
Part #	Length	Part #	Length
17034-10	10 Ft.	15975	10 Ft.
17034-15	15 Ft.	16281	15 Ft.
17034-25	25 Ft.	15976	25 Ft.
17034-50	50 Ft.	15977	50 Ft.
17036	H Connector	15978	100 Ft.
17305	T Connector	16099	H Connector
		16217	T Connector

0-10V Dimming Cables	
Part #	Length
16350	9.8 Ft. (3 M)
16349	16.4 Ft. (5 M)
14772	32.8 Ft. (10 M)
16348	49.2 Ft. (15 M)

POWER / CABLING (NO CORD "BLANK")

No Dimming / No Through-Feed	D1 (0-10V Dimming) / No Through-Feed	No Dimming / Through-Feed
1/2" MC Set screw connector No Cord / Field Wiring Required	Field Wiring Required. Dimming cables ordered separately	Power and Through-Feed cords ordered separately. Requires H-Connector (#17036) for each connection



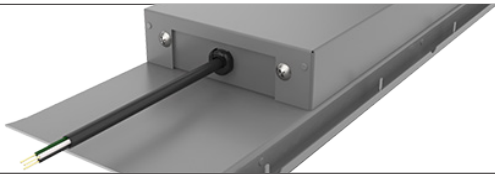

LE155H

ORDINARY LOCATION - HANGING MOUNT

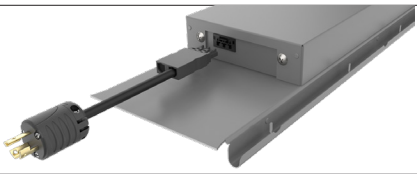

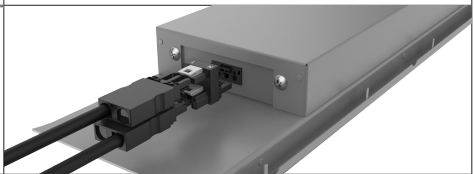
Industrial • Booth Lighting • Task Lighting • Commercial & Institutional Facilities







POWER / CABLING (CPO CORD OPTION)

No Dimming / No Through-Feed	D1 (0-10V Dimming) / No Through-Feed
	
5.5 Ft. Cord (16/3 SOOW), Blunt end	5.5 Ft. Cord (16/3 SOOW), Blunt end M12 Connectors. Dimming cables ordered separately


POWER / CABLING (CP1 TO CP4 CORD / PLUG OPTIONS)

No Dimming / No Through-Feed / CP1-CP4 Cord	D1 (0-10V Dimming) / Through-Feed / CP1-CP4 Cord	No Dimming / Through-Feed / CP1-CP4 Cord
		
6 Ft. Cord (16/3 SOOW) with CP1 to CP4 Plug	6 Ft. Cord (16/3 SOOW) with CP1 to CP4 Plug "H" Connector #17036 Required for each fixture Through-Feed and Dimming cables ordered separately	6 Ft. Cord (16/3 SOOW) with CP1 to CP4 Plug "H" Connector #17036 Required for each fixture Through-Feed cables ordered separately

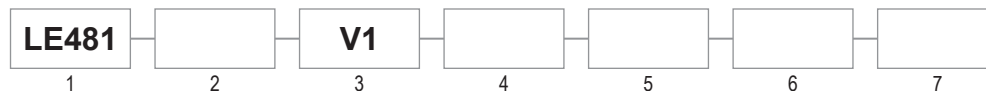
Power Cables - For all fixtures including through feed. Required to power the first fixture in the series when through feed is used.

Cord: CP1	Cord: CP2	Cord: CP3	Cord: CP4
			
6 Ft. Cord w/ NEMA L5-15P (125V) Plug Mfg: 17055	6 Ft. Cord w/ NEMA L7-15P (277V) Plug Mfg: 17103	6 Ft. Cord w/ NEMA 5-15P (125V) Plug Mfg: 17104	6 Ft. Cord w/ NEMA 7-15P (277V) Plug Mfg: 17234

POWER / CABLING (DALI DIMMING)

D2 (DALI Dimming)

DALI cabling contains power and dimming in a single cable. Cables ordered separately.

The LE481 Series is a hinged, **front access**, recessed mount, LED paint booth luminaire. The LE481 is made of a combination of 20 gauge cold rolled steel and .090 aluminum. This LED fixture is available in 4 Ft. lengths with 1, 2, or 3 rows of LED's; replacing your standard 2, 4, and 6 lamp fluorescent fixture. This fixture can be used with or without optics, has dimming capabilities, and is available with an EM option.



1 SERIES	2 SOURCE	3 VOLTAGE	4 OPTIC	5 DIMMING	6 CCT	7 OPTIONS
LE481	58: 58W / 1 Row 73: 73W / 1 Row 115: 115W / 2 Rows 145: 145W / 2 Rows 172: 172W / 3 Rows 218: 218W / 3 Rows	V1: 120-277VAC (50/60Hz)	Blank: None A: Diffused Acrylic	Blank: None D1: 0-10V	3: 3,500K 4: 4,000K 5: 5,000K	SP: Surge Protector (430 joules) EM: Battery/Driver Backup (90min.)

CERTIFICATIONS

UL844 / CSA-C22.2 No.137 (Hazardous)
 CI D2, Grps A,B,C,D
 CII D2, Grps F,G
 Paint Spray Listed
 T Code: CI D2, CII D2=T5 (T6 w/ EM option)
 UL1598 / CSA-C22.2 No.250 (Wet/Damp)
 Lumen Maintenance (L70) > 54,000 hrs. (reported)
 CRI >80
 -30°C to 55°C Ambient

CONSTRUCTION

20 gauge white powder coated steel housing
 Hinged, inside (front) access panel
 Silicone free gaskets
 4 Ft. length (nominal)
 Clear tempered glass panel
 Acrylic diffused lens (optional)
 1/2" NPT Hub(s)
 Weights: Min: 42lbs. / Max: 68lbs.

ELECTRICAL

120-277VAC
 8Ft. 3-wire whip (standard)

FEATURES

0-10V Dimming
 Recess mount - Front access
 Withstands up to 71°C bake cycle for 90 minutes with fixture power interlock off
 Emergency/Battery backup option available
 Fits the same opening as Slim Light Series
 5 year warranty

PERFORMANCE

Source	Voltage (VAC) 50/60Hz	Input Current (A)	Wattage (W)	CCT	Lumen Output* (Lm)	
					No Lens	Diffused Lens
58 (1 Row)	120-277	.49-.22	58	3,500K	6780	5470
				4,000K	6990	5640
				5,000K	6990	5640
73 (1 Row)	120-277	.61-.28	73	3,500K	8440	6820
				4,000K	8700	7030
				5,000K	8700	7030
115 (2 Rows)	120-277	.97-.44	115	3,500K	13550	10940
				4,000K	13970	11280
				5,000K	13970	11280
145 (2 Rows)	120-277	1.22-.55	145	3,500K	16880	13630
				4,000K	17400	14050
				5,000K	17400	14050
172 (3 Rows)	120-277	1.45-.65	172	3,500K	20330	16410
				4,000K	20960	16920
				5,000K	20960	16920
218 (3 Rows)	120-277	1.84-.83	218	3,500K	25320	20440
				4,000K	26100	21080
				5,000K	26100	21080
Emergency Lumen Output					*Nominal values	
Diffused Lens					2150	
No Lens					2470	

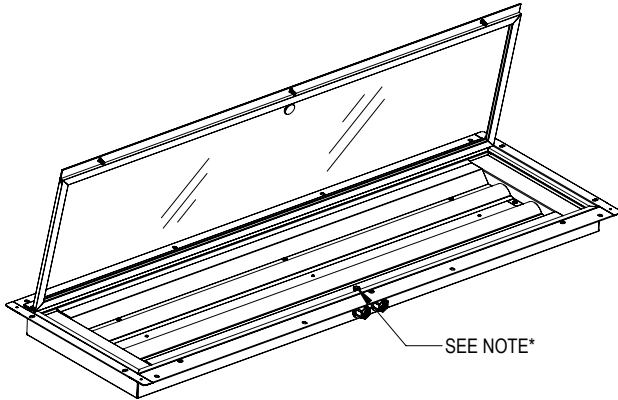
LE481

LED BOOTH LIGHTING - FRONT ACCESS

Paint and Powder Booths • Blast Booths • Clean Rooms • Prep • Sanding



DIMENSIONS



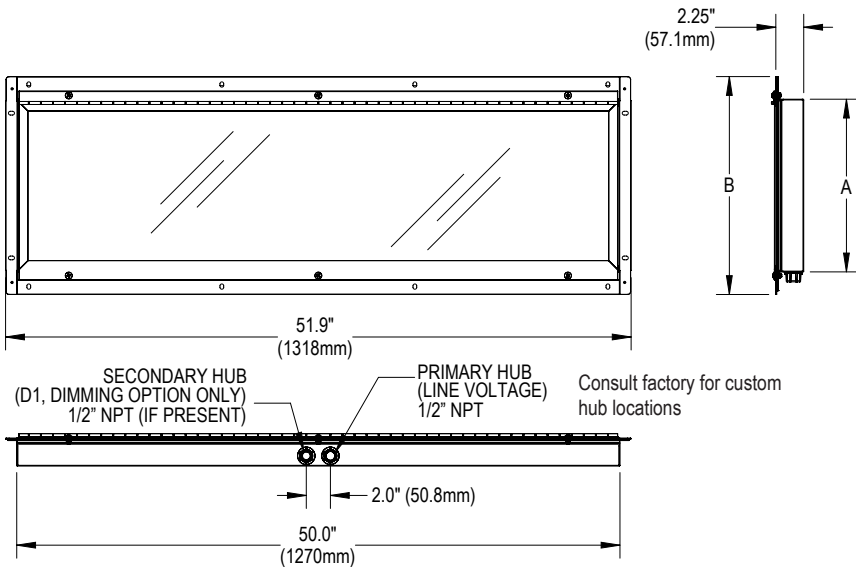
*NOTE

Normally open magnetic switches are intended to be used to trigger a relay (furnished by others) which disables the paint system. Because of the small capacity of the switch a solid state relay is recommended. It may be desired by others to utilize a separate power supply to segregate the relay (furnished by others) from the lighting power supply. The magnetic switch IS NOT designed to directly control light operation! The magnetic switch is rated for 10 watts resistive at a maximum of 300 VAC.



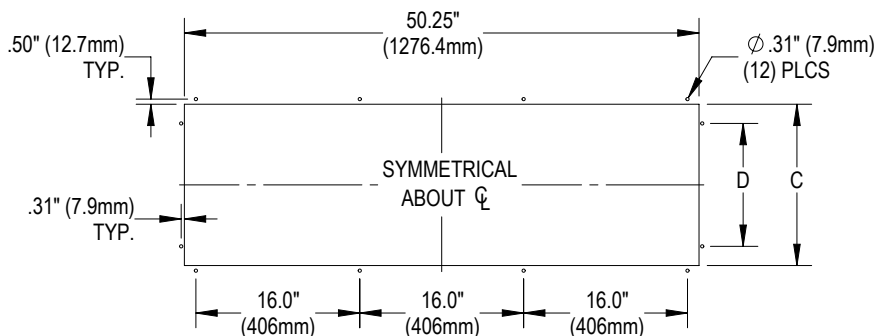
CAUTION

Overloading the switch circuits WILL cause failure. LDPI, Inc. recommends having a certified electrician/engineer review loads to ensure that overloading of switch does not occur.



Source	Dimensions* (in./mm)	
	A	B
58 (1 Row)	9.5" / 241	13.0" / 330
73 (1 Row)		
115 (2 Rows)	14.50" / 368	18.0" / 457
145 (2 Rows)		
172 (3 Rows)	19.50" / 495	23.0" / 584
218 (3 Rows)		
* Nominal dimensions		

PANEL CUTOUT DIMENSIONS



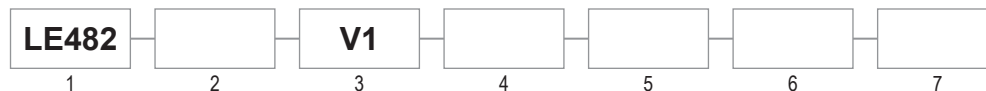
Source	Dimensions* (in./mm)	
	C	D
58 (1 Row)	10.75" / 273	7.0" / 178
73 (1 Row)		
115 (2 Rows)	15.75" / 400	12.0" / 305
145 (2 Rows)		
172 (3 Rows)	20.75" / 527	17.0" / 432
218 (3 Rows)		
* Actual dimensions		



1-800-854-0021 www.ldpi-inc.com
LDPI® is a registered trademark of LDPI, Inc. © LDPI, Inc.

Product design and specifications subject to change without notice.
Visit www.ldpi-inc.com for the most current version and photometric data. v.03.15.23

The LE482 Series is a hinged, **REAR ACCESS**, recessed mount, LED paint booth luminaire. The LE482 is made of a combination of 20 gauge cold rolled steel and .090 aluminum. This LED fixture is available in 4 Ft. lengths with 1, 2, or 3 rows of LEDs; replacing your standard 2, 4, and 6 lamp fluorescent fixture. This fixture can be used with or without optics, has dimming capabilities, and is available with an EM option.



1 SERIES	2 SOURCE	3 VOLTAGE	4 OPTICS	5 DIMMING	6 CCT	7 OPTIONS
LE482	58: 58W / 1 Row 73: 73W / 1 Row 115: 115W / 2 Rows 145: 145W / 2 Rows 172: 172W / 3 Rows 218: 218W / 3 Rows	V1: 120-277VAC (50/60Hz)	Blank: None A: Diffused Acrylic	Blank: None D1: 0-10V	3: 3,500K 4: 4,000K 5: 5,000K	SP: Surge Protector (430 joules) EM: Battery/Driver Backup (90min.)

CERTIFICATIONS

UL844 / CSA-C22.2 No.137 (Hazardous)
 CI D2, Grps A,B,C,D
 CII D2, Grps F,G
 Paint Spray Listed
 T Code: CI D2, CII D2=T3C (T3C w/ EM option)
 UL1598 / CSA-C22.2 No.250 (Wet/Damp)
 Lumen Maintenance (L70) >54,000 hrs. (reported)
 CRI >80
 -30°C to 55°C Ambient

CONSTRUCTION

20 gauge white powder coated steel housing
 Hinged, rear access panel
 Silicone free gaskets
 Acrylic diffused lens (optional)
 4 Ft. length (nominal)
 Clear tempered glass panel
 1/2" NPT Hub(s)
 Weights: Min: 47lbs. / Max: 71lbs.

ELECTRICAL

120-277VAC
 8Ft. 3-wire whip (standard)

FEATURES

0-10V Dimming
 Recess mount - Rear access
 Withstands up to 71°C bake cycle for 90 minutes with fixture power interlock off
 Emergency/Battery backup option available
 Fits the same opening as Slim Light Series
 5 year warranty

PERFORMANCE

Source	Voltage (VAC) 50/60Hz	Input Current (A)	Wattage (W)	CCT	Lumen Output* (Lm)	
					No Lens	Diffused Lens
58 (1 Row)	120-277	.49-.22	58	3,500K	6780	5470
				4,000K	6990	5640
				5,000K	6990	5640
73 (1 Row)	120-277	.61-.28	73	3,500K	8440	6820
				4,000K	8700	7030
				5,000K	8700	7030
115 (2 Rows)	120-277	.97-.44	115	3,500K	13550	10940
				4,000K	13970	11280
				5,000K	13970	11280
145 (2 Rows)	120-277	1.22-.55	145	3,500K	16880	13630
				4,000K	17400	14050
				5,000K	17400	14050
172 (3 Rows)	120-277	1.45-.65	172	3,500K	20330	16410
				4,000K	20960	16920
				5,000K	20960	16920
218 (3 Rows)	120-277	1.84-.83	218	3,500K	25320	20440
				4,000K	26100	21080
				5,000K	26100	21080
Emergency Lumen Output					*Nominal values	
Diffused Lens					2150	
No Lens					2470	

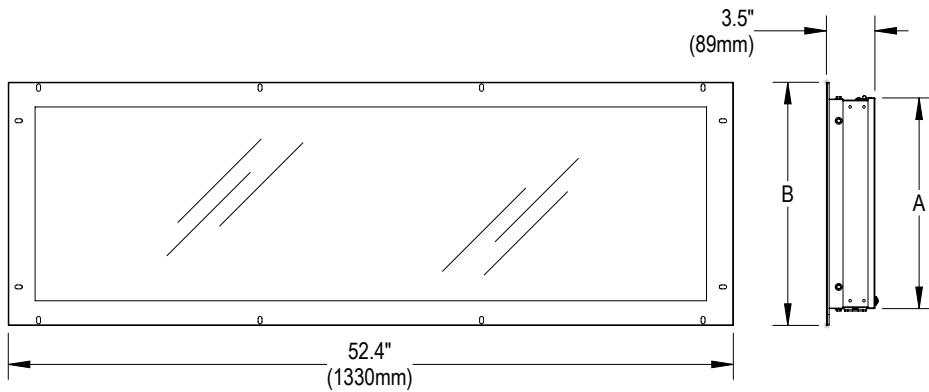
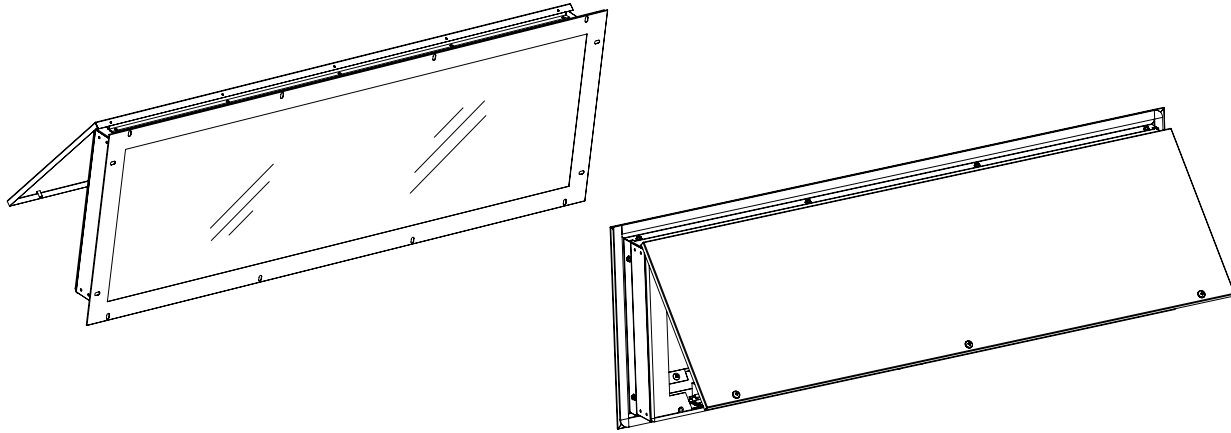
LE482

LED BOOTH LIGHTING - REAR ACCESS

Paint and Powder Booths • Blast Booths • Clean Rooms • Prep • Sanding

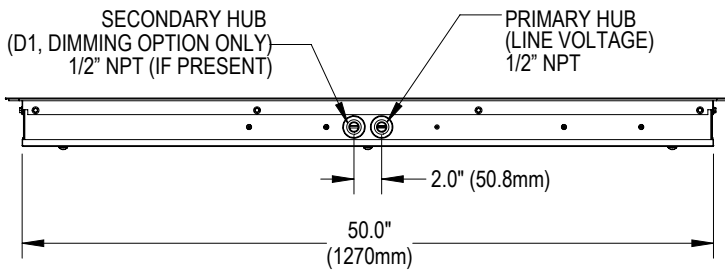


DIMENSIONS



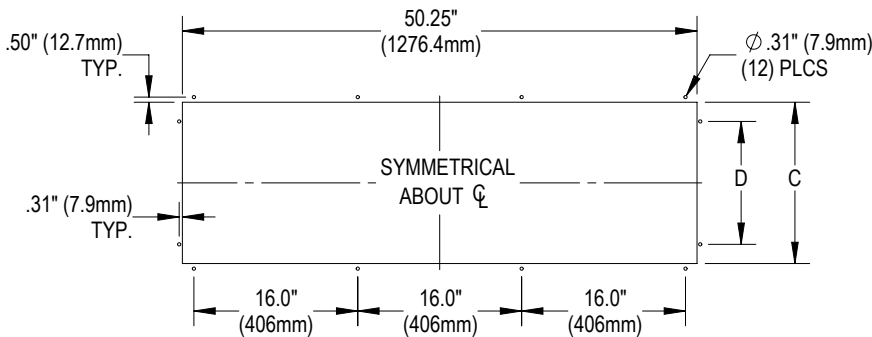
Source	Dimensions* (in./mm)	
	A	B
58 (1 Row)	9.5" / 241	13.0" / 330
73 (1 Row)		
115 (2 Rows)	14.50" / 368	18.0" / 457
145 (2 Rows)		
172 (3 Rows)	19.50" / 495	23.0" / 584
218 (3 Rows)		

* Nominal dimensions



Consult factory for custom hub locations

PANEL CUTOUT DIMENSIONS



Source	Dimensions* (in./mm)	
	C	D
58 (1 Row)	10.75" / 273	7.0" / 178
73 (1 Row)		
115 (2 Rows)	15.75" / 400	12.0" / 305
145 (2 Rows)		
172 (3 Rows)	20.75" / 527	17.0" / 432
218 (3 Rows)		

* Actual dimensions



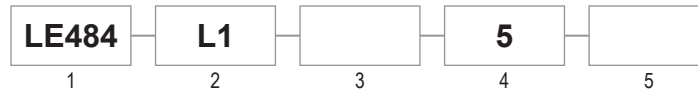
1-800-854-0021 www.ldpi-inc.com
LDPI® is a registered trademark of LDPI, Inc. © LDPI, Inc.

Product design and specifications subject to change without notice.
Visit www.ldpi-inc.com for the most current version and photometric data. v.03.15.23

The LE484 is a new approach to booth lighting. It is a lightweight, recessed mount, LED paint booth luminaire. The LE484 utilizes LED technology and redefines how booth lighting is done. It is made of a cast aluminum housing with diffused or 60° optics with dimming capabilities. Paint Spray listed.



patented design



1 SERIES	2 SOURCE	3 VOLTAGE / DIMMING	4 CCT	5 OPTIC / BEAM ANGLE
LE484	L1: 75W	V1: 120-277VAC (50/60Hz) / 0-10V V2: 347-480VAC (50/60Hz) / 0-10V V3: 120-277VAC (50/60Hz) / DALI	5: 5,000K	D: Diffused Optic / 120° T: T.I.R. LED Optic / 60°
Notes: 1. Product comes standard with 8Ft. 3-wire whip installed. 2. (3) 1/2" NPT Hub Locations				

CERTIFICATIONS

UL844 / CSA-C22.2 No.137 (Hazardous)
 CI D2, Grps A,B,C,D
 CII D1, Grps E,F,G
 CII D2, Grps F,G
 CIII
 Paint Spray Listed
 T-Code: CI D2, CII D1, CII D2, CIII =T6
 UL1598 / CSA-C22.2 No.250 (Wet/Damp)
 Lumen Maintenance (L70) >60,000 hrs (reported)
 CRI>90 / R9>50
 -25°C to 45°C Ambient (IC)
 -25°C to 55°C Ambient (Non IC)
 NEMA 4X
 IP67
 FCC

FEATURES

High CRI
 Thin, Low profile design
 0-10v or DALI dimming
 5 Year Warranty

PERFORMANCE

Source	Voltage (VAC) 50/60Hz	Input Current (A)	Wattage (W)	CCT	Lumen Output* (Lm)	
					Diffused Optic	TIR Optic
L1	120-277	.63 - .27	75	5,000K	8270	9070
	347-480	.21 - .15				
* Nominal values						

CONSTRUCTION

Copper-free cast aluminum housing
 Silicone-free gaskets
 Impact resistant glass
 Powder coat white
 (3) 1/2" NPT hubs
 Weight: 18 lbs.
 All exposed fasteners are stainless steel

ELECTRICAL

120-277 / 347-480VAC
 Through wiring rated
 10Kv Surge protection built in
 8Ft. 3-Wire whip standard, factory Installed



DIFFUSED



TIR (60°)

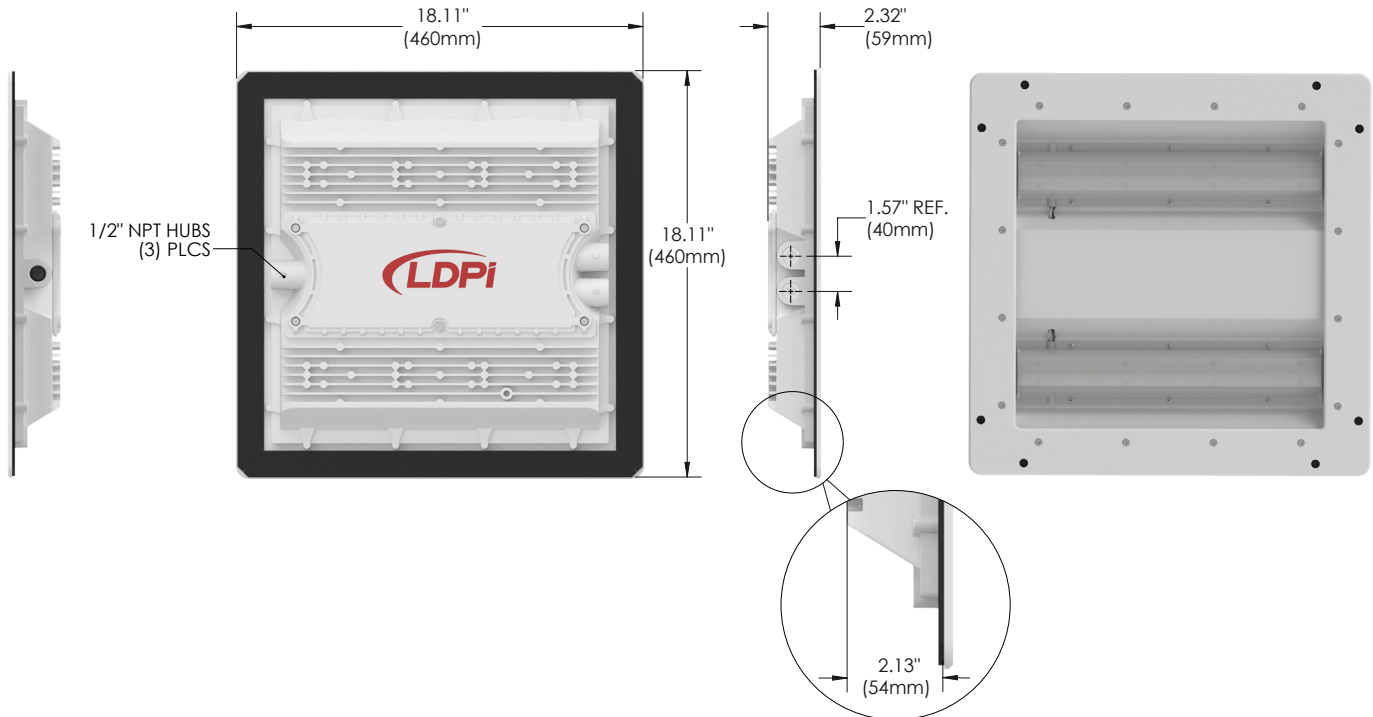
LE484

HAZARDOUS LOCATION - BOOTH

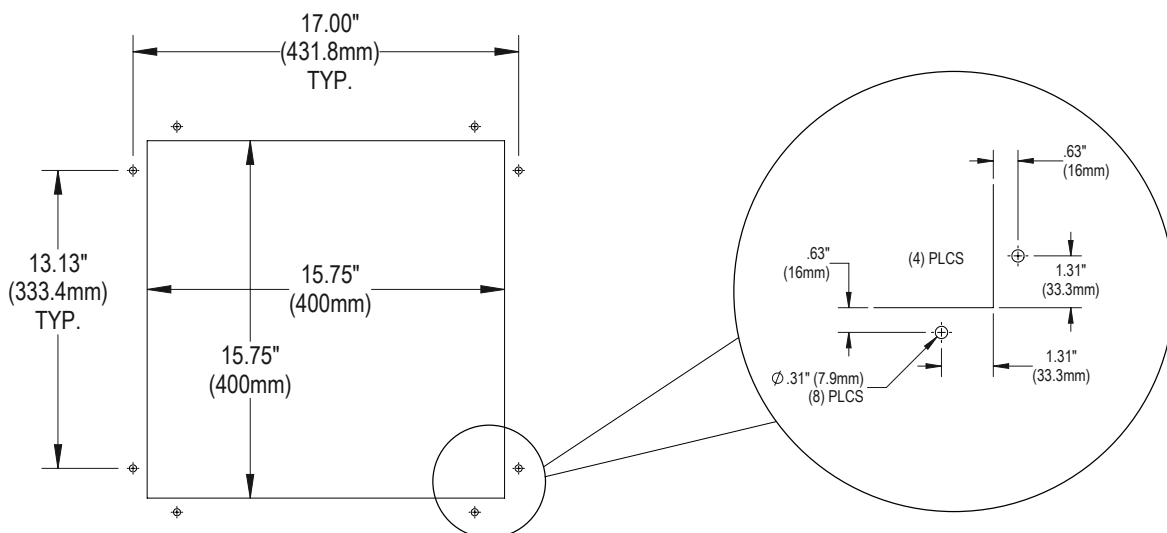
Paint Booth • Powder Booth • Blast Booth • Clean Room • Prep Sanding



DIMENSIONS



PANEL CUTOUT DIMENSIONS





LE485E

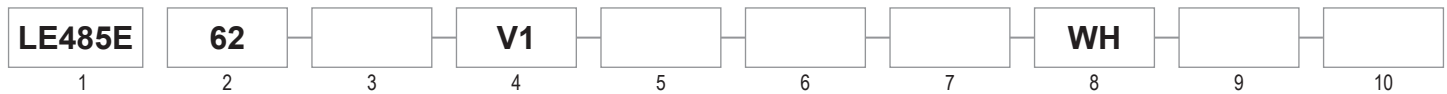
HAZARDOUS - BOOTH - FRONT ACCESS

Paint and Powder Booths • Blast Booths • Clean Rooms • Prep • Sanding

The LE485E Series is a recessed mount, front access, LED paint booth luminaire. This LED fixture is available in 4 Ft. lengths with 1 or 2 rows of LED's; replacing your standard 4 lamp fluorescent fixture. The LE485E Series fixtures is designed to fit into a double wall booth. This fixture can be used with or without optics, has dimming capabilities, and is available with an EM option. Designed as a cost effective and energy efficient solution to replace or upgrade your booth to LED lighting.



2 Row w/ Diffused Lens



1 SERIES	2 SOURCE	3 CONFIGURATION	4 VOLTAGE	5 OPTIC	6 DIMMING	7 CCT
LE485E	62: 62W	N1: 1 Row-Narrow Housing W1: 1 Row-Wide Housing W2: 2 Row-Wide Housing	V1: 120-277VAC (50/60Hz)	Blank: None A: Diffused Acrylic	Blank: None D1: 0-10V	3: 3,500K 4: 4,000K 5: 5,000K
8 WIRE WHIP*	9 OPTIONS		10 MOUNTING LOCATIONS			
Blank:None WH: Wire Whip (10ft.) *3-wire wire whip standard. Total number of leads dependent on options ordered.	SP: Surge Protector (10kV) EM: Battery/Driver Backup (90min.)		H: Hinged Lens w/ Interlock Switch* CH: Ceiling/ Hip Mount (No interlock switch or hinge) ** *H option for use in walls, ceiling, or hips **CH option for use in hip and ceiling only			



Designed to fit into double wall booths. Fixture recess depth 2.13 in.

CERTIFICATIONS

UL844 / CSA-C22.2 No.137 (Hazardous)
 CI D2, Grps A,B,C,D
 CII D2, Grps F,G
 Paint Spray Listed
 T Code: CI D2, CII D2=T6
 UL1598 / CSA-C22.2 No.250 (Wet/Damp)
 Lumen Maintenance (L70) >60,000 hrs. (reported)
 CRI >80
 -25°C to 55°C Ambient (IC / NonIC)

FEATURES

Optional Dimming: 0-10V
 Recess mount - Front access
 Withstands up to 71°C bake cycle for 90 minutes with fixture power interlock off
 Emergency/Battery backup option available
 Fits in the same cutout as Slim Light and 400 Series fluorescent fixtures
 5 year warranty

CONSTRUCTION

20 gauge white powder coated steel housing
 Silicone free gaskets
 4 Ft. length (nominal)
 Clear, tempered glass lens access panel
 1/2" NPT Hub(s)
 Weights: Min: 42 lbs. / Max: 68 lbs.

ELECTRICAL

120-277VAC
 6kV Built-in driver surge protection

PERFORMANCE

Source	Voltage (VAC) 50/60Hz	Input Current (A)	Wattage (W)	CCT	Lumen Output* (Lm)	
					No Optic	Diffused Acrylic Optic
62 (1&2 Row)	120-277	0.53 - 0.23	62	3,500K	7660	6140
				4,000K	7820	6270
				5,000K	7900	6330
*Nominal values						



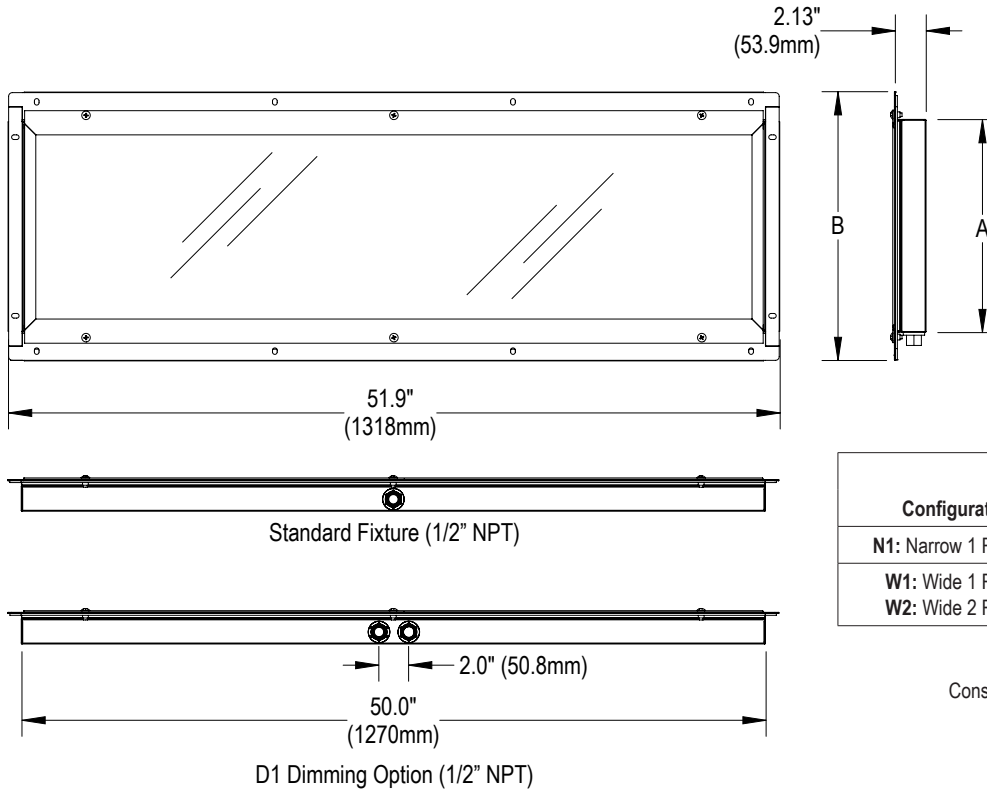
LE485E

HAZARDOUS - BOOTH - FRONT ACCESS

Paint and Powder Booths • Blast Booths • Clean Rooms • Prep • Sanding



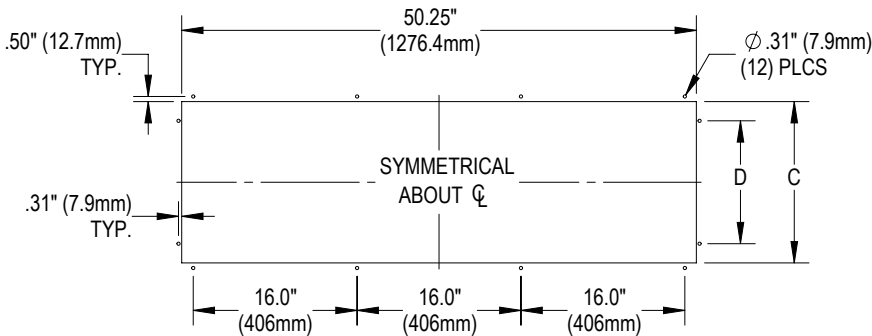
DIMENSIONS



Configuration	Dimensions* (in./mm)	
	A	B
N1: Narrow 1 Row	9.31" (236mm)	13.06" (332mm)
W1: Wide 1 Row W2: Wide 2 Row	14.31" (363mm)	18.06" (459mm)
* Nominal dimensions		

Consult factory for custom hub locations

PANEL CUTOUT DIMENSIONS



Configuration	Dimensions* (in./mm)	
	C	D
N1: Narrow (1 Row)	10.75" (273.1mm)	7.0" (177.8mm)
W1: Wide (1 Row) W2: Wide (2 Row)	15.75" (400.1mm)	12.0" (304.8mm)
* Actual dimensions		



2 Row w/ Diffused Lens



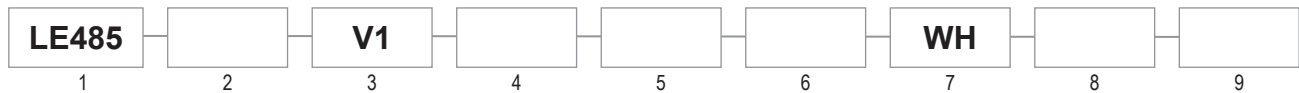
1-800-854-0021 www.ldpi-inc.com
LDPI® is a registered trademark of LDPI, Inc. © LDPI, Inc.

Product design and specifications subject to change without notice.
Visit www.ldpi-inc.com for the most current version and photometric data. v.02.09.23

The LE485 Series is a recessed mount, front access, LED paint booth luminaire. This LED fixture is available in 4 Ft. lengths with 1, 2 or 3 rows of LED's; replacing your standard 2, 4, and 6 lamp fluorescent fixture. This fixture can be used with or without optics, has dimming capabilities, and is available with an EM option. Designed as a cost effective and energy efficient solution to replace or upgrade your booth to LED lighting.



3 Row w/ Diffused Lens



1 SERIES	2 SOURCE	3 VOLTAGE	4 OPTIC	5 DIMMING	6 CCT	7 WIRE WHIP*
LE485	43: 43W (1 Row) 62: 62W (1 Row) 100: 100W (2 Row) 120: 120W (2 Row) 140: 140W (3 Row) 180: 180W (3 Row)	V1: 120-277VAC (50/60Hz)	Blank: None A: Diffused Acrylic	Blank: None D1: 0-10V D2: DALI	3: 3,500K 4: 4,000K 5: 5,000K	Blank:None WH: Wire Whip (10ft.) *3-wire wire whip standard. Total number of leads dependent on options ordered.
8 OPTIONS		9 MOUNTING LOCATIONS				
SP: Surge Protector (10kV) EM: Battery/Driver Backup (90min.)		H: Hinged Lens w/ Interlock Switch* CH: Ceiling / Hip Mount (No interlock switch or hinge) ** *H option for use in walls, ceiling, or hips **CH option for use in hip and ceiling only.				

CERTIFICATIONS

UL844 / CSA-C22.2 No.137 (Hazardous)
 CI D2, Grps A,B,C,D
 CII D2, Grps F,G
 Paint Spray Listed
 T Code: CI D2, CII D2=T6
 UL1598 / CSA-C22.2 No.250 (Wet/Damp)
 Lumen Maintenance (L70) >60,000 hrs. (reported)
 CRI >80
 -25°C to 55°C Ambient (IC / Non IC)

CONSTRUCTION

20 gauge white powder coated steel housing
 Silicone free gaskets
 4 Ft. length (nominal)
 Clear, tempered glass lens access panel
 1/2" NPT Hub(s)
 Weights: Min: 42 lbs. / Max: 68 lbs.

ELECTRICAL

120-277VAC
 6kV Built-in driver surge protection

FEATURES

Dimming: 0-10V or DALI
 Recess mount - Front access
 Withstands up to 71°C bake cycle for 90 minutes with fixture power interlock off
 Emergency/Battery backup option available
 Fits in the same cutout as Slim Light and 400 Series fluorescent fixtures
 5 year warranty

PERFORMANCE

Source	Voltage (VAC) 50/60Hz	Input Current (A)	Wattage (W)	CCT	Lumen Output* (Lm)	
					No Optic	Diffused Acrylic Optic
43 (1 Row)	120-277	0.36-0.16	43	3,500K	5410	4410
				4,000K	5500	4500
				5,000K	5600	4580
62 (1 Row)	120-277	0.53-0.23	63	3,500K	7660	6140
				4,000K	7820	6270
				5,000K	7900	6330
100 (2 Rows)	120-277	0.83-0.36	100	3,500K	12690	10050
				4,000K	12950	10360
				5,000K	13080	10460
120 (2 Rows)	120-277	1.00-0.43	120	3,500K	15370	12360
				4,000K	15690	12610
				5,000K	15850	12740
140 (3 Rows)	120-277	1.17-0.51	140	3,500K	18670	14940
				4,000K	19060	15250
				5,000K	19250	15400
180 (3 Rows)	120-277	1.50-0.65	180	3,500K	23000	18630
				4,000K	23470	19020
				5,000K	23710	19210

*Nominal values

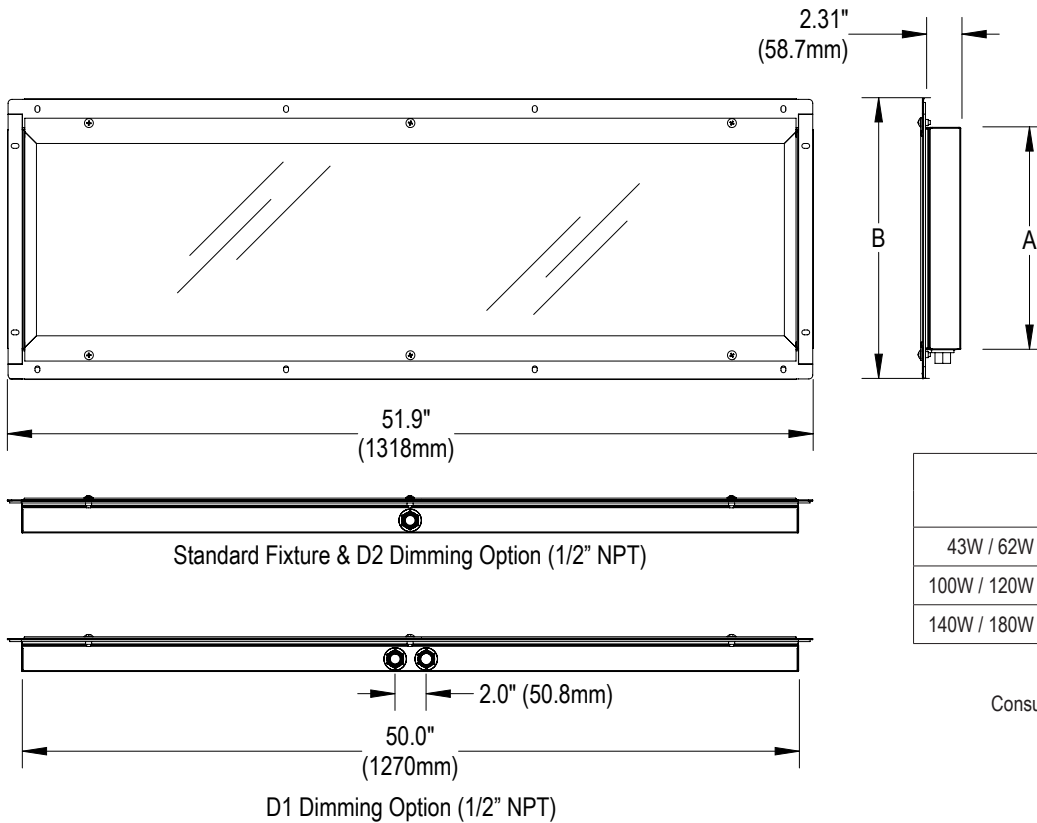
LE485

HAZARDOUS - BOOTH - FRONT ACCESS

Paint and Powder Booths • Blast Booths • Clean Rooms • Prep • Sanding



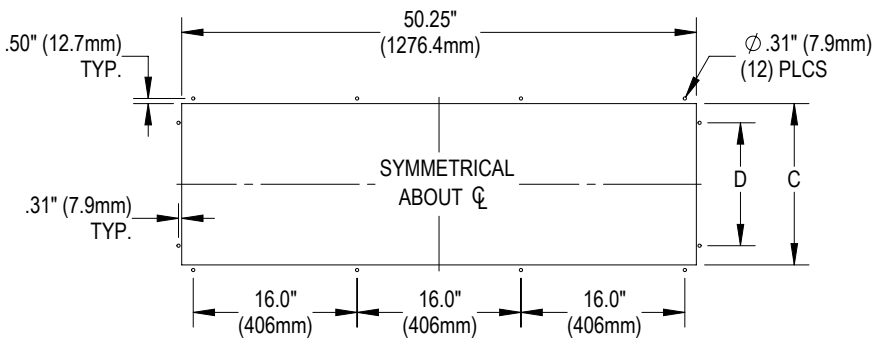
DIMENSIONS



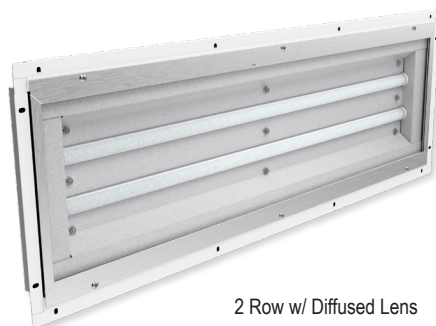
Source	Dimensions* (in./mm)	
	A	B
43W / 62W (1 Row)	9.31" (236mm)	13.06" (332mm)
100W / 120W (2 Row)	14.31" (363mm)	18.06" (459mm)
140W / 180W (3 Row)	19.31" (490mm)	23.06" (586mm)
* Nominal dimensions		

Consult factory for custom hub locations

PANEL CUTOUT DIMENSIONS



Source	Dimensions* (in./mm)	
	C	D
43W / 62W (1 Row)	10.75" (273.1mm)	7.0" (177.8mm)
100W / 120W (2 Row)	15.75" (400.1mm)	12.0" (304.8mm)
140W / 180W (3 Row)	20.75" (527.1mm)	17.0" (431.8mm)
* Actual dimensions		



2 Row w/ Diffused Lens



1-800-854-0021 www.ldpi-inc.com
LDPI® is a registered trademark of LDPI, Inc. © LDPI, Inc.

Product design and specifications subject to change without notice.
Visit www.ldpi-inc.com for the most current version and photometric data. v.02.09.23



LE485E

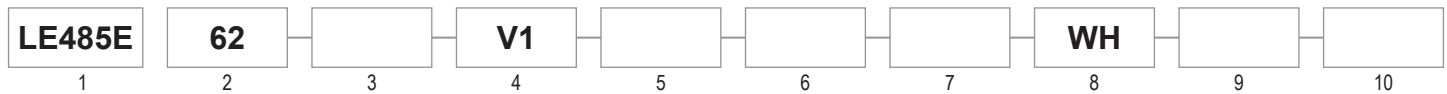
HAZARDOUS - BOOTH - FRONT ACCESS

Paint and Powder Booths • Blast Booths • Clean Rooms • Prep • Sanding

The LE485E Series is a recessed mount, front access, LED paint booth luminaire. This LED fixture is available in 4 Ft. lengths with 1 or 2 rows of LED's; replacing your standard 4 lamp fluorescent fixture. The LE485E Series fixtures is designed to fit into a double wall booth. This fixture can be used with or without optics, has dimming capabilities, and is available with an EM option. Designed as a cost effective and energy efficient solution to replace or upgrade your booth to LED lighting.



2 Row w/ Diffused Lens



1 SERIES	2 SOURCE	3 CONFIGURATION	4 VOLTAGE	5 OPTIC	6 DIMMING	7 CCT
LE485E	62: 62W	N1: 1 Row-Narrow Housing W1: 1 Row-Wide Housing W2: 2 Row-Wide Housing	V1: 120-277VAC (50/60Hz)	Blank: None A: Diffused Acrylic	Blank: None D1: 0-10V	3: 3,500K 4: 4,000K 5: 5,000K
8 WIRE WHIP*	9 OPTIONS		10 MOUNTING LOCATIONS			
Blank:None WH: Wire Whip (10ft.) *3-wire wire whip standard. Total number of leads dependent on options ordered.	SP: Surge Protector (10kV) EM: Battery/Driver Backup (90min.)		H: Hinged Lens w/ Interlock Switch* CH: Ceiling/ Hip Mount (No interlock switch or hinge)** *H option for use in walls, ceiling, or hips **CH option for use in hip and ceiling only			



Designed to fit into double wall booths. Fixture recess depth 2.13 in.

CERTIFICATIONS

UL844 / CSA-C22.2 No.137 (Hazardous)
 CI D2, Grps A,B,C,D
 CII D2, Grps F,G
 Paint Spray Listed
 T Code: CI D2, CII D2=T6
 UL1598 / CSA-C22.2 No.250 (Wet/Damp)
 Lumen Maintenance (L70) >60,000 hrs. (reported)
 CRI >80
 -25°C to 55°C Ambient (IC / NonIC)

FEATURES

Optional Dimming: 0-10V
 Recess mount - Front access
 Withstands up to 71°C bake cycle for 90 minutes with fixture power interlock off
 Emergency/Battery backup option available
 Fits in the same cutout as Slim Light and 400 Series fluorescent fixtures
 5 year warranty

CONSTRUCTION

20 gauge white powder coated steel housing
 Silicone free gaskets
 4 Ft. length (nominal)
 Clear, tempered glass lens access panel
 1/2" NPT Hub(s)
 Weights: Min: 42 lbs. / Max: 68 lbs.

ELECTRICAL

120-277VAC
 6kV Built-in driver surge protection

PERFORMANCE

Source	Voltage (VAC) 50/60Hz	Input Current (A)	Wattage (W)	CCT	Lumen Output* (Lm)	
					No Optic	Diffused Arcylic Optic
62 (1&2 Row)	120-277	0.53 - 0.23	62	3,500K	7660	6140
				4,000K	7820	6270
				5,000K	7900	6330
*Nominal values						



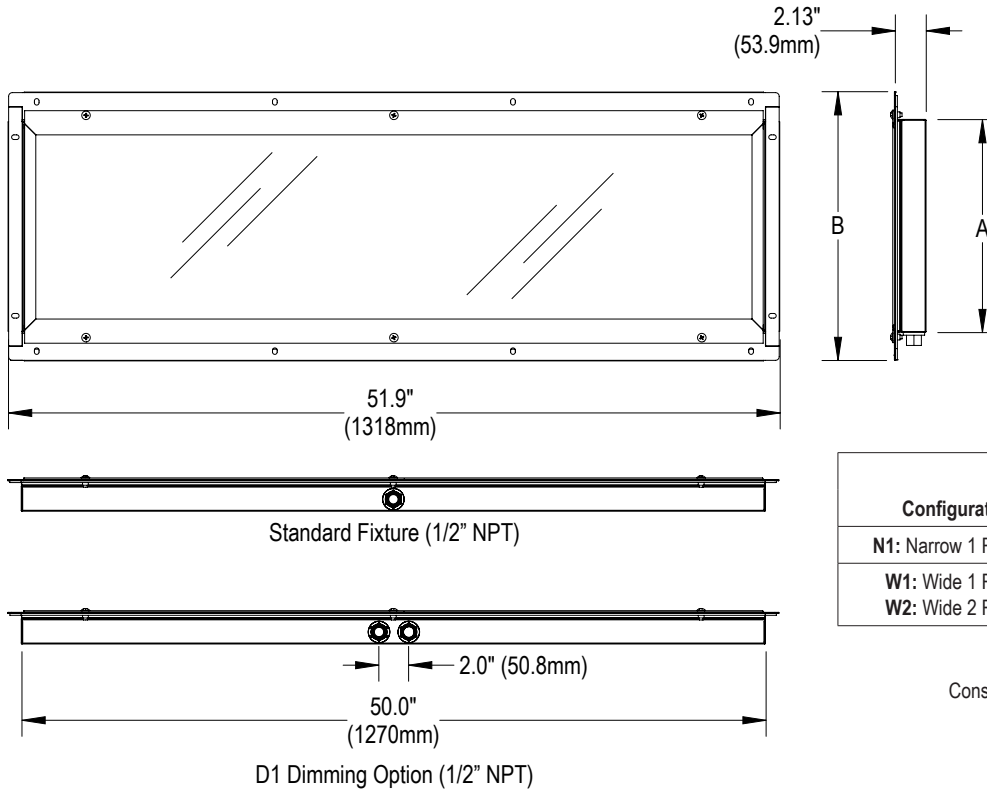
LE485E

HAZARDOUS - BOOTH - FRONT ACCESS

Paint and Powder Booths • Blast Booths • Clean Rooms • Prep • Sanding



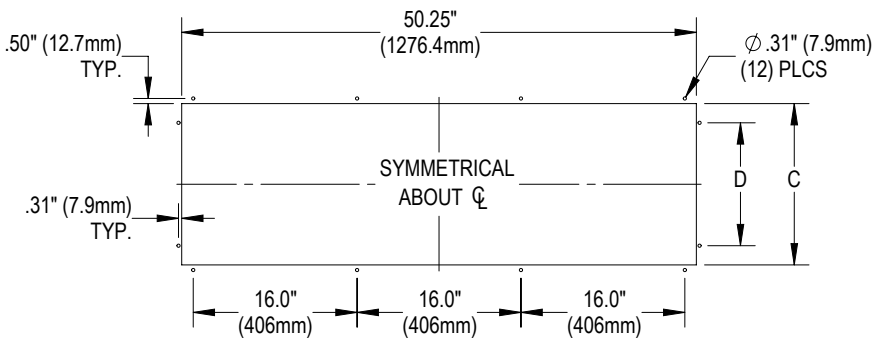
DIMENSIONS



Configuration	Dimensions* (in./mm)	
	A	B
N1: Narrow 1 Row	9.31" (236mm)	13.06" (332mm)
W1: Wide 1 Row W2: Wide 2 Row	14.31" (363mm)	18.06" (459mm)
* Nominal dimensions		

Consult factory for custom hub locations

PANEL CUTOUT DIMENSIONS



Configuration	Dimensions* (in./mm)	
	C	D
N1: Narrow (1 Row)	10.75" (273.1mm)	7.0" (177.8mm)
W1: Wide (1 Row) W2: Wide (2 Row)	15.75" (400.1mm)	12.0" (304.8mm)
* Actual dimensions		



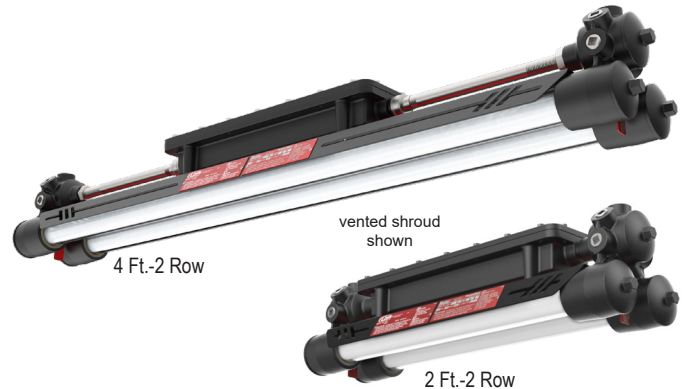
2 Row w/ Diffused Lens



1-800-854-0021 www.ldpi-inc.com
LDPI® is a registered trademark of LDPI, Inc. © LDPI, Inc.

Product design and specifications subject to change without notice.
Visit www.ldpi-inc.com for the most current version and photometric data. v.02.09.23

The LE551 Series is designed for environments having explosive atmosphere's including locations containing deposits of readily combustible paint residues. The LE551 comes in a variety of lumen options and is available as a 2 ft., 2 row or a 4 ft., 2, 3 or 4 row fixture. The fixture comes standard with 5 hub entries at each end to provide flexibility in wiring and mounting along with directional lighting.



1 SERIES	2 SOURCE	3 VOLTAGE	4 CCT	5 OPTIC	6 SHROUD	7 FINISH	8 OPTIONS
LE551	L1: 24W (2 Ft. 2 Row) L2: 34W (2 Ft. 2 Row) L3: 43W (4 Ft. 2 Row) L4: 64W (4 Ft. 2 Row) L5: 68W (4 Ft. 3 Row) L6: 86W (4 Ft. 3 Row) L7: 87W (4 Ft. 4 Row) L8: 128W (4 Ft. 4 Row)	V1: 120-277VAC (50/60 Hz) V2: 277-480VAC (50/60 Hz)	4: 4,000K 5: 5,000K	BLANK: None D: Diffused Acrylic	V: Vented E: Enclosed	Standard product will be Black with red accent.	P: Polycarbonate Shield * WG: Stainless Steel Guard EM: Battery/Driver Backup (90min.) UL924 (L3 & L4 only) (V1: 120-277 Only) D1: Dimming (0-10V) D2: Dimming (DALI) * Not available with (V) Vented Shroud.

CERTIFICATIONS

UL844 / CSA-C22.2 No.137 (Hazardous)
 CI D1, Grps C,D
 CI D2, Grps A,B,C,D
 CII D1, Grps E,F,G
 CII D2, Grps E,F,G
 CIII
 Simultaneous Presence (CI & CII)
 Zone 1, Grp IIA and IIB
 Paint Spray Listed
 T-Codes: CID1=T6 / CID2=T6 / All Others=T4
 UL1598 / CSA-C22.2 No.250 (Wet/Damp)
 UL1598A (Marine Outside)
 UL924 (Battery Backup)-optional
 DLC (inquire for specific part numbers)
 Lumen Maintenance (L70) >55,000 hrs. (reported)
 CRI >90
 -20°C to 40°C Ambient

CONSTRUCTION

Copper-free cast aluminum housings
 Borosilicate glass tubes
 Powder coat black (standard)
 1/2" NPT Hubs
 Weights: Configuration specific, see back for details

ELECTRICAL

120-277 / 277-480VAC
 10Kv surge protector built in - Standard
 6in. 3-wire pigtail

FEATURES

Robust design
 Multiple mounting angles
 Dimming options
 Emergency option (Battery backup)
 5 Year Warranty

PERFORMANCE

Source	Length / Rows	Input Current (A)		Wattage (W)	CCT	Lumen Output* (Lm)	
		Voltage (VAC) 120-277	Voltage (VAC) 277-480			Clear†	Diffused†
L1	2 Ft. - 2 Row	.20 - .09	.09 - .05	24	4,000K & 5,000K	2770	2470
L2		.28 - .12	.12 - .07	34		3920	3500
L3	4 Ft. - 2 Row	.36 - .16	.16 - .09	43		5670	5070
L4		.53 - .23	.23 - .13	64		8020	7160
L5	4 Ft. - 3 Row	.57 - .25	.25 - .14	68		9400	8390
L6		.67 - .29	.29 - .17	80		11060	9870
L7	4 Ft. - 4 Row	.73 - .31	.31 - .18	87		11350	10130
L8		1.07 - .46	.46 - .27	128		16050	14330

* Nominal values
 † Same for both CCTs

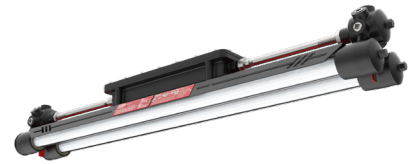
Operating Temperature Codes (40° C Ambient)

CI D1	CI D2	C2 D1	CII D2	CIII	CI & CII Simultaneous Presence
T6=85°C	T6=85°C	T4=135°C	T4=135°C	T4=135°C	T4=135°C

LE551

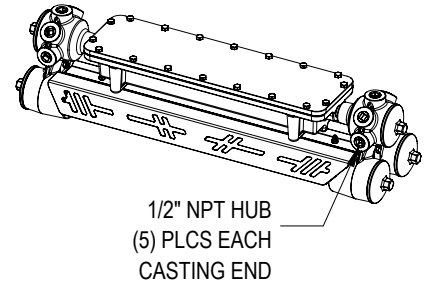
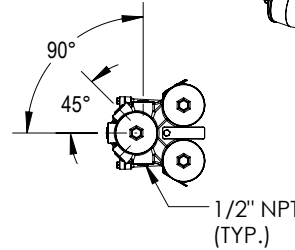
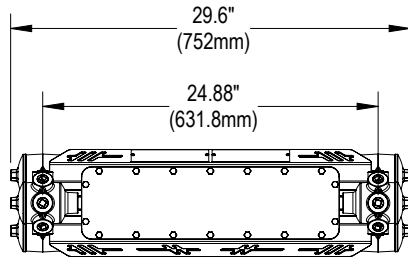
LED EXPLOSION PROOF LIGHTING

Paint Spray Booths • Marine/Outdoor • Chemical Plants • Drill Rigs • Refineries • Coal Storage



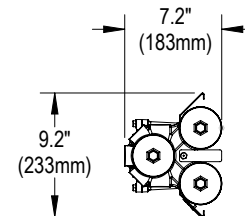
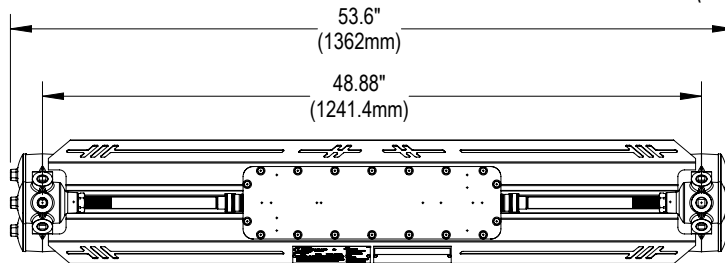
DIMENSIONS

2 Ft. 2 Row
Weight: 28 lbs.

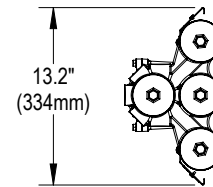
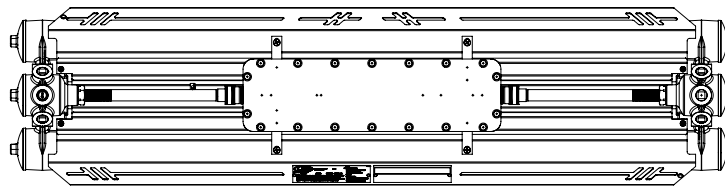


1/2" NPT HUB
(5) PLCS EACH
CASTING END

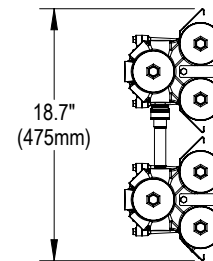
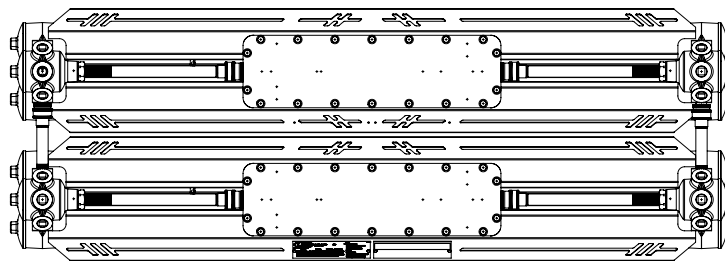
4 Ft. 2 Row
Weight: 40 lbs.



4 Ft. 3 Row
Weight: 45 lbs.



4 Ft. 4 Row
Weight: 80 lbs.



ACCESSORIES (CAN BE ORDERED SEPARATELY)

Accessories	Part Number	Description	
WG: Stainless Steel Guards *	4466	2 Ft. 2 Row	
	4211	4 Ft. 2 Row	
	4557	4 Ft. 3 Row	
	4211 (2) required	4 Ft. 4 Row	
* not for use in paint spray applications * not available with Vented (V) option			
P: Polycarbonate Shields *	4464	2 Ft. 2 Row	
	4209	4 Ft. 2 Row	
	4497	4 Ft. 3 Row	
	4209 (2) required	4 Ft. 4 Row	
* not available with Vented (V) option			


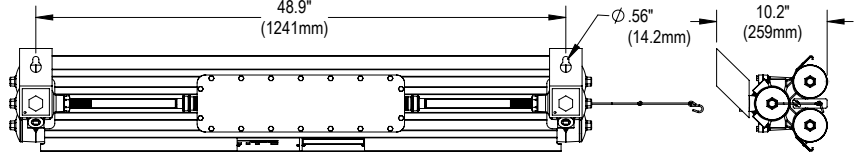
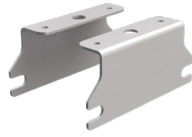
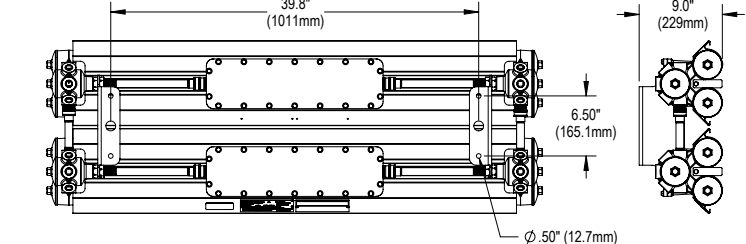

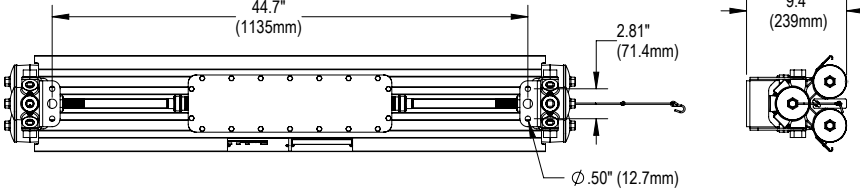

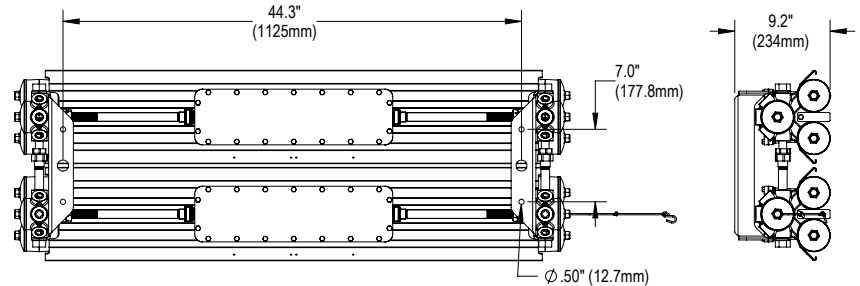


LE551

LED EXPLOSION PROOF LIGHTING

Paint Spray Booths • Marine/Outdoor • Chemical Plants • Drill Rigs • Refineries • Coal Storage

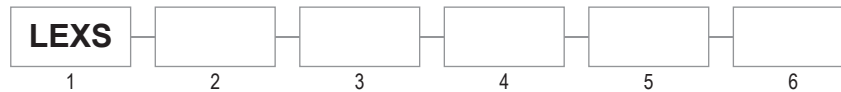
MOUNTING OPTIONS (ORDERED SEPARATELY, FIELD INSTALLED *)

Part # / Description	Item	Dimensions
4401 2 or 3 Row Fixtures Wall / Ceiling Kit (2) Brackets with NPT bolts Safety cable		
4400 4 Row Fixtures (Factory Installed) Wall / Ceiling Kit (2) Surface Mount Brackets factory installed	* Factory Installed 	
4405 2 or 3 Row Fixtures Drop Mount Kit (2) Brackets (4) NPT Bolts (1) Safety Cable/Chain (4) Shims		
4403 4 Row Fixtures Drop Mount Kit (2) Brackets (4) NPT Bolts (1) Safety Cable/Chain (4) Shims		

The LEXS is designed and listed for **CI D1** explosive environments, marine, and wet locations. This fixture offers directional mounting, is Paint Spray listed for use in paint or powder booths and features silicone-free gaskets that are safe to use in a paint booth.



Inquire for specific DLC qualifying configurations



1 SERIES	2 SOURCE	3 VOLTAGE	4 CCT	5 OPTICS / BEAM	6 LENS	Product comes standard with
LEXS	L1: 2Ft. / 40W L2: 4Ft. / 80W	V1: 120-277VAC (50/60Hz) V2: 347-480VAC (50/60Hz)	3: 3,000K 4: 4,000K 5: 5,000K	V110: 110° TYPE V V60*: 60° TYPE V *Requires "C" Lens	C: Clear D: Diffused	(3) 3/4" Hubs Yoke Bracket pre-installed 10Kv surge protector built-in 3Ft. 3-Wire whip, factory installed

CERTIFICATIONS

UL844 / CSA-C22.2 No.137 (Hazardous)
 CI D1 Grps C,D
 CI D2 Grps A,B,C,D
 Simultaneous Presence
 Paint Spray Listed
 T-Code: CI D1=T6
 UL1598 / CSA-C22.2 No.250 (Wet/Damp)
 UL1598A (Marine Outside)
 DLC (inquire for specific part numbers)
 Lumen Maintenance (L70) >60,000 hrs. (reported)
 CRI >70
 -40°C to 60°C Ambient
 RH Ambient Humidity 10% to 90%
 IP66
 NEMA 3 and NEMA 4X
 FCC

PERFORMANCE

Source	Voltage (VAC) 50/60Hz	Input Current (A)	Wattage (W)	CCT	Lumen Output* (Lm)	
					Clear Lens	Diffused Lens
L1	120-277	.33 - .14	40	3,000K	4440	3510
				4,000K	4480	3520
				5,000K	5040	3800
L2	120-277	.66 - .29	80	3,000K	9550	7600
				4,000K	9560	7520
				5,000K	10260	7750

* Nominal values

CONSTRUCTION

Copper-free aluminum housing and yoke
 Silicone-free gaskets
 Powder coat black
 All exposed fasteners are stainless steel
 Thermal shock and impact resistant glass lens
 (3) 3/4" Hub locations
 Weights: 2Ft.-16 lbs. / 4Ft.-24 lbs.

ELECTRICAL

120-277 / 347-480VAC
 10Kv surge protector built in, standard
 3 Ft. 3-Wire whip standard, factory installed

FEATURES

High lumen output up to 120 Lm/W
 Shock and vibration resistant
 0-10V Dimming (Wire leads capped inside driver compartment)
 Mounting: Wall (Flood), Pole, Ceiling, Pendant, and Hanging
 30° Yoke Adjustments (180° total)
 Light weight, compact design
 5 Year Warranty



Clear Lens



Diffused Lens

LEXS

EXPLOSION PROOF

Paint/Powder Booths • Chemical Processing • Industrial • Oil / Gas • Shipyards / Marine • Water Treatment



ACCESSORIES - (Field Installed, Order Separately)

Part Number	Description	
PC01*	Pole Mount Pipe Clamp Kit Stainless Steel 1-7/8" Dia. Includes: 2 Clamps	
PC02*	Pole Mount Pipe Clamp Kit Stainless Steel 2-3/8" Dia. Includes: 2 Clamps	
HK04*	Hanging Mount Kit Stainless Steel M10 Eyebolts and nuts Includes: 2 Eyebolts	

*Note: Stainless steel accessories not suitable for paint spray applications

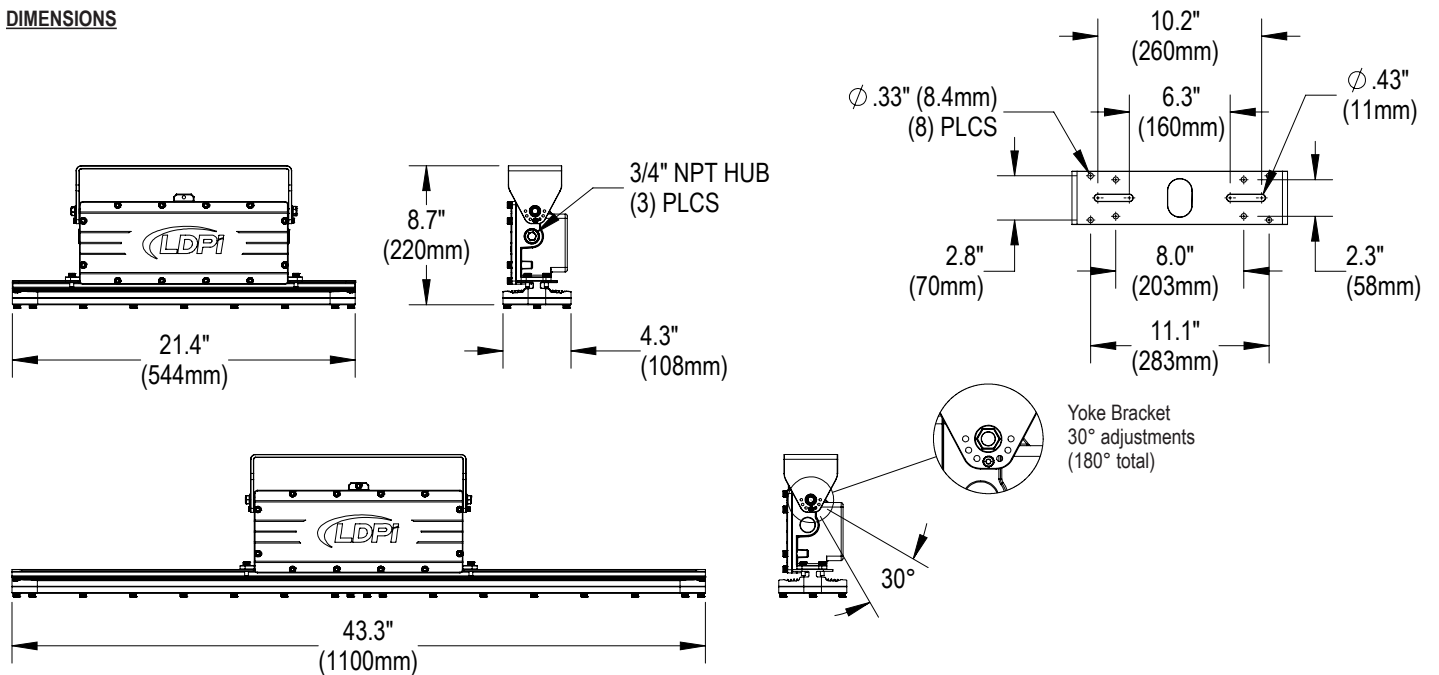


LEXS 80W

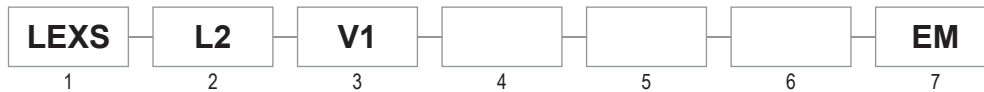
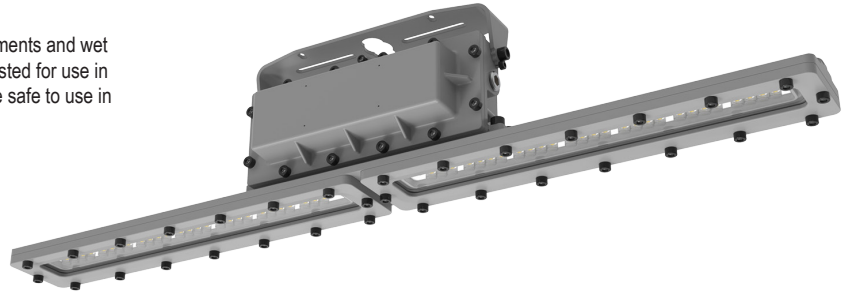
SUGGESTED MOUNTING



DIMENSIONS



The LEXS-EM is designed and listed for **CI D1** explosive environments and wet locations. This fixture offers directional mounting, is Paint Spray listed for use in paint or powder booths and features silicone-free gaskets that are safe to use in a paint booth.

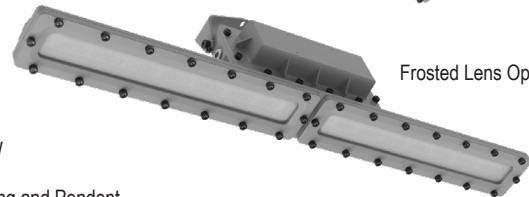


1 SERIES	2 SOURCE	3 VOLTAGE	4 CCT	5 OPTICS / BEAM	6 LENS	7 OPTIONS
LEXS	L2: 4Ft. / 80W	V1: 120-277VAC (50/60Hz)	3: 3,000K 4: 4,000K 5: 5,000K	V110: 110° TYPE V V60*: 60° TYPE V T2*: Type II *Requires "C" Lens	C: Clear D: Diffused	EM: Emergency Backup (90 min.) UL924

Product comes standard with
 (3) 3/4" Hubs
 Aluminum yoke bracket pre-installed
 10Kv surge protector built-in



Clear Lens Option



Frosted Lens Option

CERTIFICATIONS

- UL844 / CSA-C22.2 No.137 (Hazardous)
- CI D1 Grps C,D
- CI D2 Grps C,D
- Simultaneous Presence
- Paint Spray Listed
- T-Code: CI D1=T6
- UL1598 / CSA-C22.2 No.250 (Wet/Damp)
- Lumen Maintenance (L70) >60,000 hrs. (reported)
- CRI >70
- 20°C to 45°C Ambient
- RH Ambient Humidity 10% to 90%
- IP66
- NEMA 3 and NEMA 4X
- FCC

FEATURES

- High lumen output up to 120 Lm/W
- Shock and vibration resistant
- Mounting: Wall (Flood), Pole, Ceiling and Pendant
- 30° Yoke Adjustments (180° total)
- Emergency 90 min. battery backup (UL924)
- Light weight, compact design
- 5 Year Warranty

CONSTRUCTION

- Copper-free aluminum
- Silicone-free gaskets
- Powder coat grey
- All exposed fasteners are stainless steel
- Thermal shock and impact resistant glass lens
- (3) 3/4" Hub locations
- Weight: 27 lbs.

ELECTRICAL

- 120-277V
- 10Kv surge protector built in, standard
- 24 hour charge time

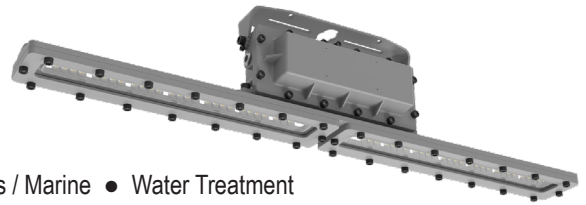
PERFORMANCE

Source	Voltage (VAC) 50/60Hz	Input Current (A)	Wattage (W)	CCT	Lumen Output* (Lm)	
					Clear Lens	Diffused Lens
L2	120-277	.66 - .29	80	3,000K	9550	7600
				4,000K	9560	7520
				5,000K	10260	7750
Emergency Lumen Output* (Lm)						
				3,000K	800	680
				4,000K	810	650
				5,000K	840	640
* Nominal values						

LEXS-EM

EXPLOSION PROOF-EMERGENCY BACKUP

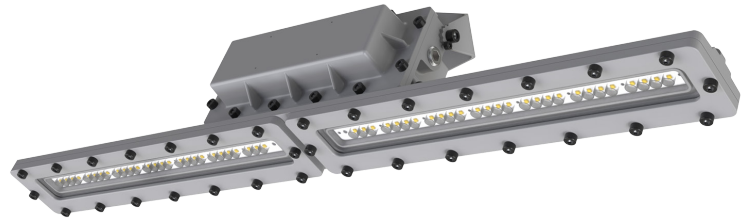
Paint/Powder Booths • Chemical Processing • Industrial • Oil / Gas • Shipyards / Marine • Water Treatment



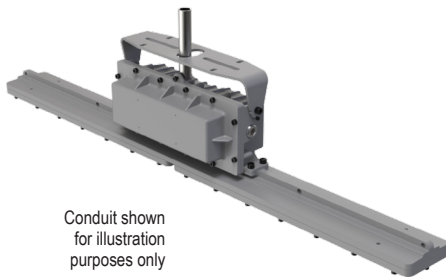
ACCESSORIES - (Field Installed, Order Separately)

Part Number	Description	
PC01*	Pole Mount Pipe Clamp Kit Stainless Steel 1-7/8" Dia. Includes: 2 Clamps	
PC02*	Pole Mount Pipe Clamp Kit Stainless Steel 2-3/8" Dia. Includes: 2 Clamps	
HK04*	Hanging Mount Kit Stainless Steel M10 Eyebolts and nuts Includes: 2 Eyebolts	

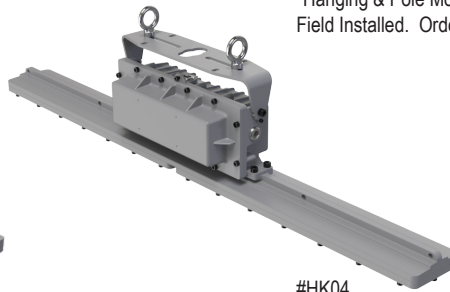
* Note: Stainless steel accessories not for use in paint spray applications



SUGGESTED MOUNTING

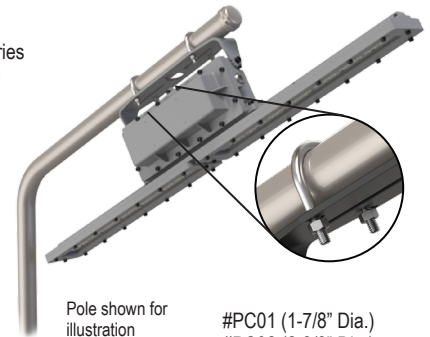


Ceiling / Wall / Pendant



Hanging

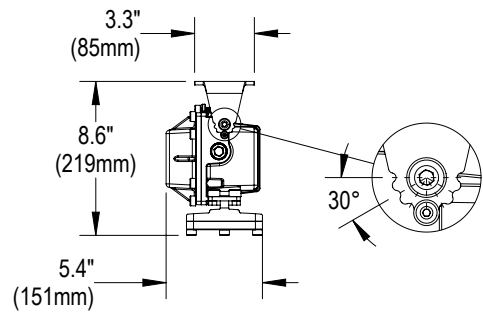
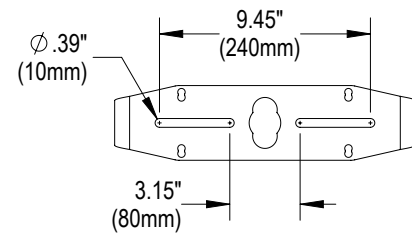
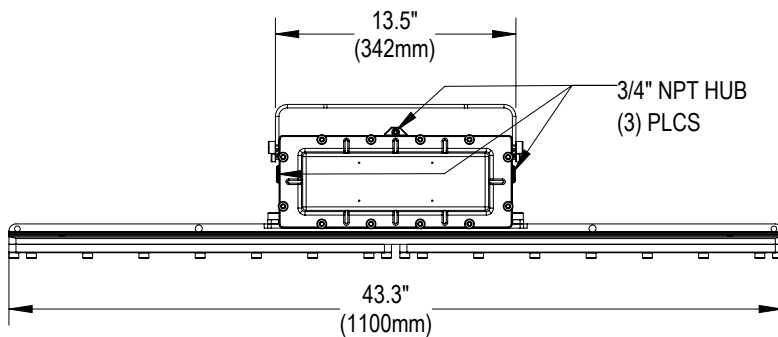
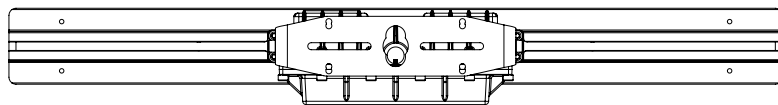
*Hanging & Pole Mount Accessories
Field Installed. Order Separately



Pole

#PC01 (1-7/8" Dia.)
#PC02 (2-3/8" Dia.)

DIMENSIONS





BOOTH PATCH PANEL KIT

KITS FOR RETRO-FIT OF LE484

Patch panel kits are designed for retrofitting your booth with the energy efficient LE484 LED Light and are designed to fit over existing booth wall cut-outs (max. 16"x48").

LE484 shown for illustration purposes. Not included with kit.

Each Kit Includes:

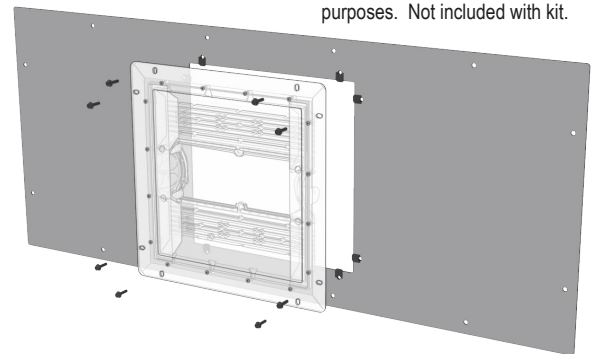
- (1) Patch panel specific to the LDPI fluorescent series being replaced
- (1) Step-by-step instructional / retrofit manual
- (8) 1/4-20 x 1.0" hex head screws (for mounting LE484 to patch panel)
- (8) 1/4-20 Clip-on nuts (for mounting LE484 to patch panel)

Notes:

Booth cut-out sizes and hole locations may vary from the dimensions above. Please consult with LDPI sales prior to placing order to ensure proper fit.

Some kits may require cutting and/or drilling. Consult with LDPI sales for more information.

Custom kits available upon request.

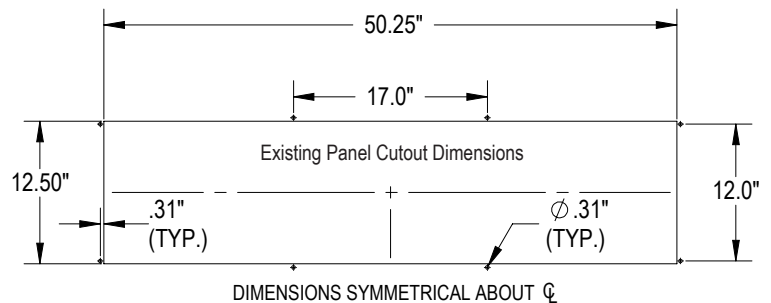
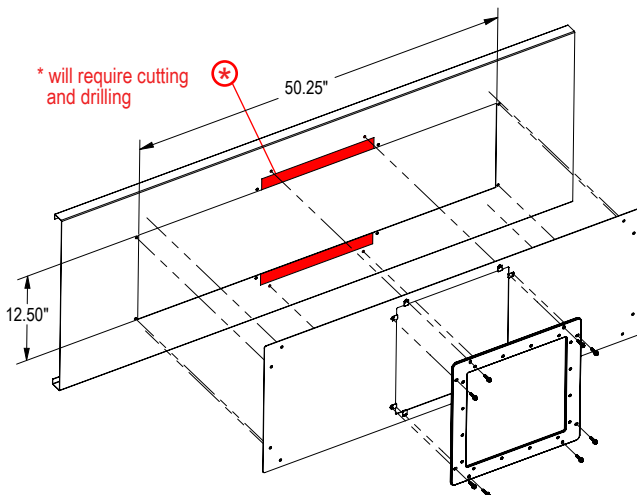


Patch Panels are made from 14 gauge (.078") galvanized, unpainted steel.

241 AND 260/261

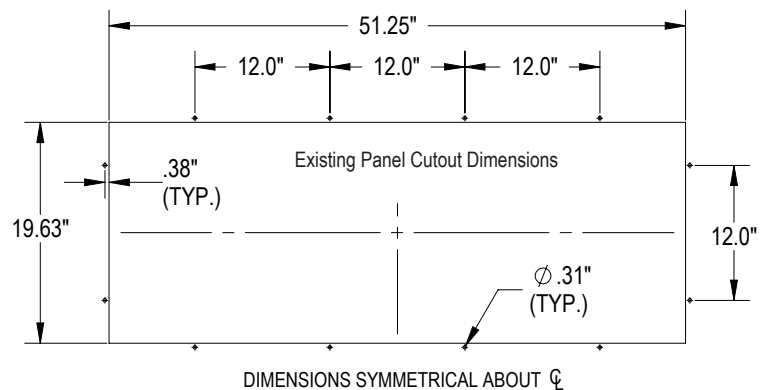
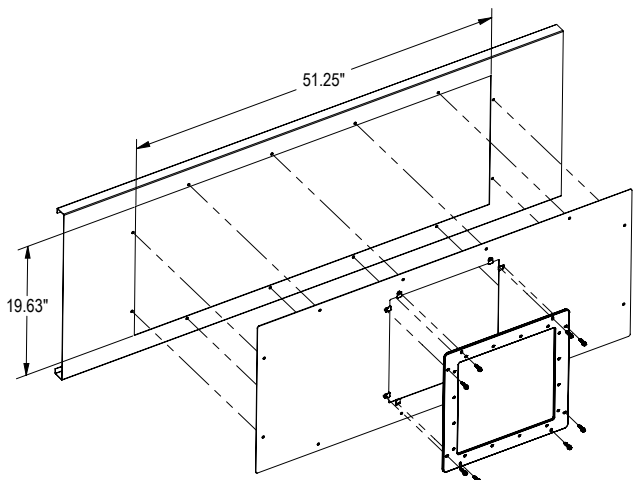
Fixture 390241

Kit #17656



Fixture 390260/261

Kit # 17657



BOOTH PATCH PANEL KIT

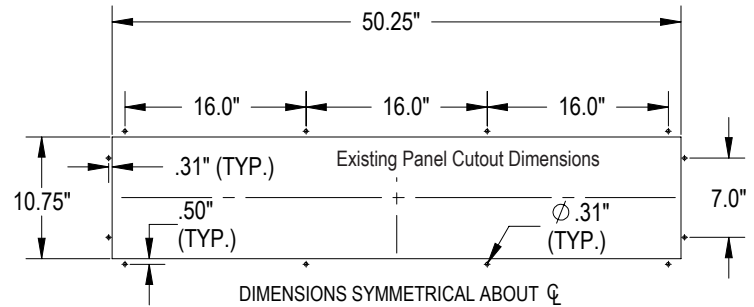
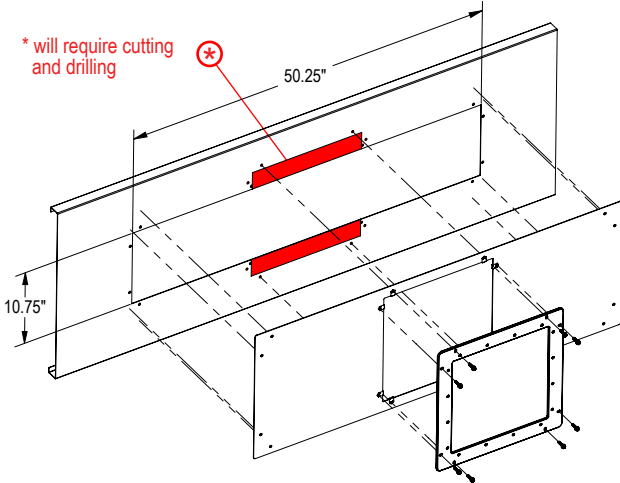
KIT FOR RETRO-FIT OF LE484



SLIM LIGHT AND 400 SERIES

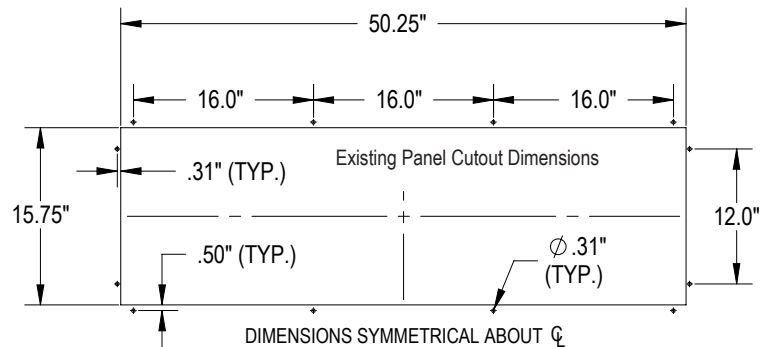
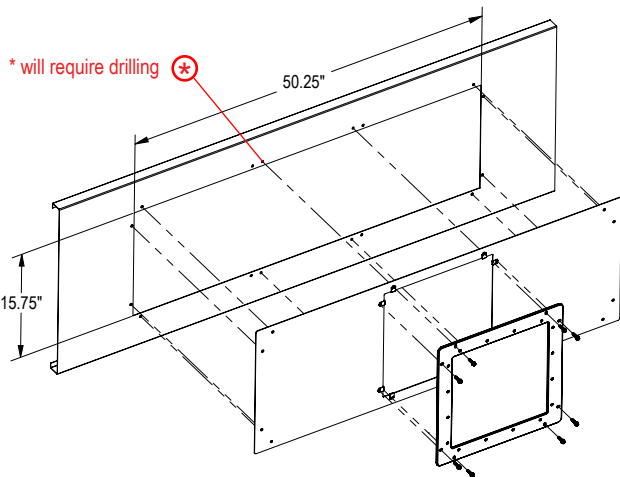
Fixture 390420, 421

Kit #17656



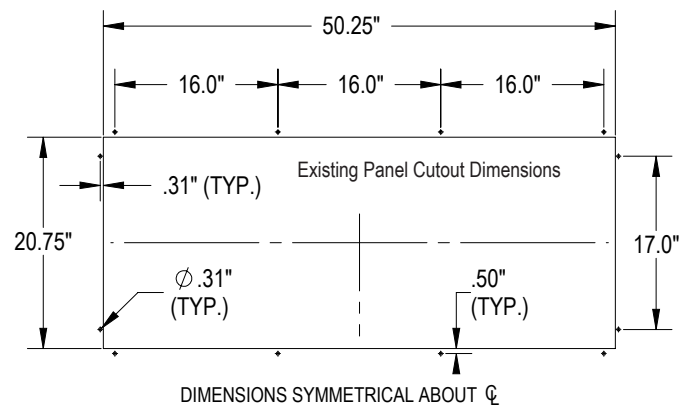
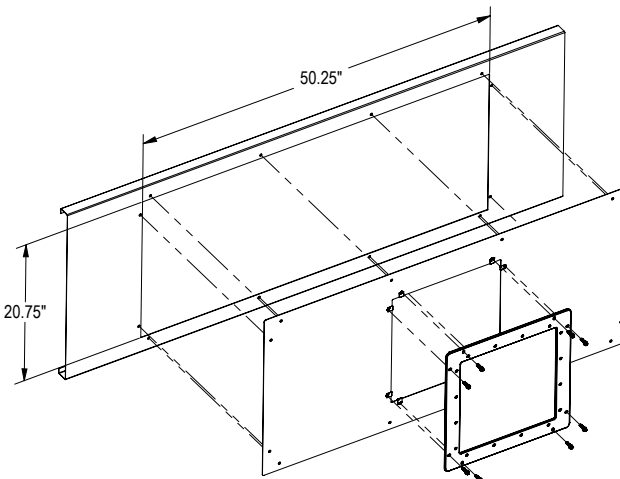
Fixture 390440, 441

Kit # 17656



Fixture 390460, 461

Kit # 17658



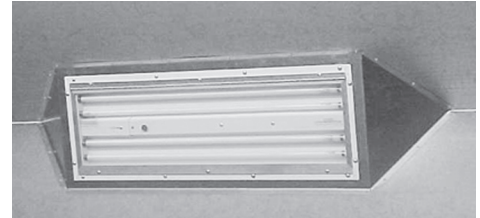


SLIMLIGHT

HAZARDOUS - BOOTH - CORNER/HIP MOUNT

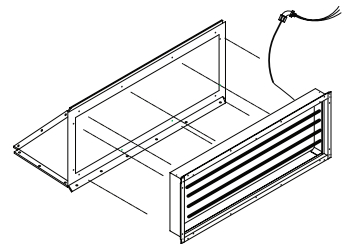
Industrial • Paint and Powder Booths • Blast Booths • Prep, Inspection, Sanding Areas

Horizontal or Vertical Mounting Corner/Hip Light Kit
Corner or Hip Mount Kit (PN 4714)
For use with 390440J-3546 Slim Light fixture ONLY.
FIXTURE SOLD SEPARATELY



Corner Light Mounting Option

The following is an acceptable method of installing panel mounted fixtures into the corner of a paint spray booth. Can be installed vertically in a corner, or horizontally in the hip of the booth. Includes all components required to install kit and route wiring conductors out of booth.



FEATURES

Part Number: 4714
To reduce shadowing, corner or hip lighting is ideal.
Shipping weight: 14#

KIT

18 gauge galvanized panel

Kit (delivered unassembled) Includes:

- Self tapping screws to mount panel to booth
- Bolts/Nuts to mount fixture to panel.
- Wire whip pre-wired to fixture.
- (4) feet of 1/2" Liquid-Tite Flexible conduit
- 90° Flex connector to exit booth
- Straight flex connector to secure flex to fixture
- (1) Tube of caulk to seal around panel and fixture perimeter

REQUIREMENTS

For use with the 390440J-3546 Fixture only. (Fixture Sold Separately)

Panel construction must meet the requirements of NFPA 33 Chapter 3, "Construction and Design of Spray Areas, Spray Rooms, and Spray Booths."

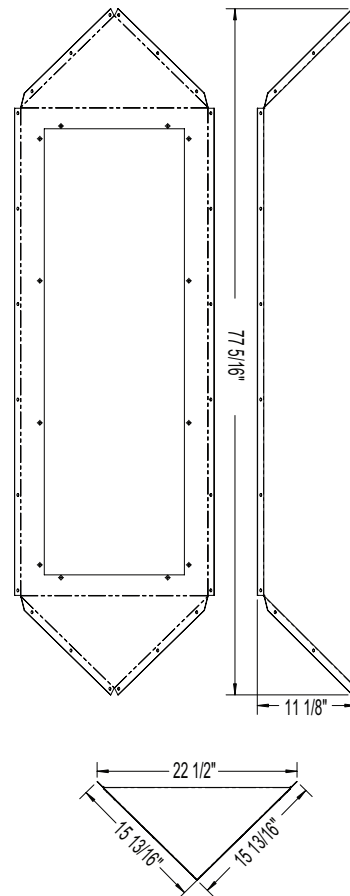
Fixture installation wiring to meet the requirements of NFPA 33 Chapter 4, "Electrical and Other Sources of Ignition."

OPTIONS

Powder Coat Finish

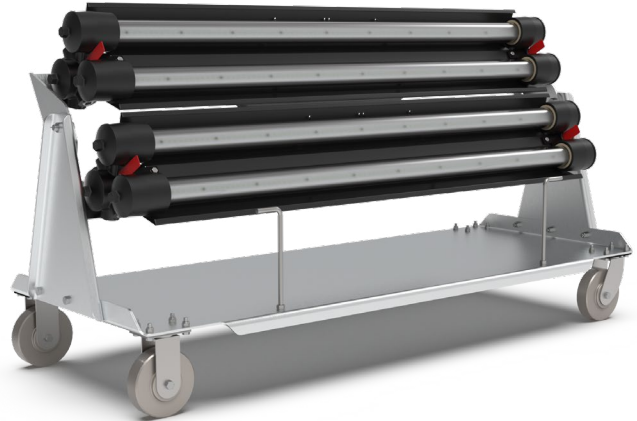
NOTES

Mounting requires drilling 7/8" hole in booth wall or ceiling to route flex conduit out of booth.
All wiring must be performed by a certified electrician and in accordance with all national and local electrical codes and regulations.



Lighting for Explosive Environments - The LE551 Portable Light Cart is manufactured in accordance with applicable NFPA standards. For use in hazardous environments and laboratory applications. Portable lighting solutions for hazardous atmospheres. Light can be directed where you need it most. Fixture(s) sold separately.

LDPI recommends consulting local authorities for approval of your application prior to purchase.



	LE551		V1				PB
1	2	3	4	5	6	7	8

1 CART	2 SERIES	3 SOURCE	4 VOLTAGE	5 CCT	6 OPTIC	7 SHROUD	8 FINISH
4372-2: 2 Row Cart 4372-3: 3 Row Cart 4372-4: 4 Row Cart	LE551	L3: 43W (4 Ft. 2 Row) L4: 64W (4 Ft. 2 Row) L5: 73W (4 Ft. 3 Row) L6: 86W (4 Ft. 3 Row) L7: 87W (4 Ft. 4 Row) L8: 128W (4 Ft. 4 Row)	V1: 120-277VAC (50/60 Hz)	4: 4,000K 5: 5,000K	BLANK: None D: Diffused Acrylic	E: Enclosed	Standard product will be Black with red accent.

FIXTURE LISTINGS

UL listed 844 U.S. and Canada for hazardous locations
 UL listed 1598 U.S. and Canada for wet locations
 UL listed 1598A U.S. and Canada for marine locations

FEATURES

For either 2, 3 or 4 row, 4ft fixtures
 5" non-sparking casters (1 pair fixed, 1 pair swivel)
 360° non-continuous adjustable fixture rotation
 Polycarbonate shield option

ELECTRICAL

Available in 43W, 64W, 73W, 86W, 87W or 128W
 Voltages: 120V
 50 Ft. of S.O. electric cable suitable for rough duty use
 Explosion proof switch
 Explosion proof plug - 120 Volts (P/N 3825)

HOUSING

Frame constructed of corrosion resistant aluminum

REFLECTOR

One piece aluminum reflector

LENS

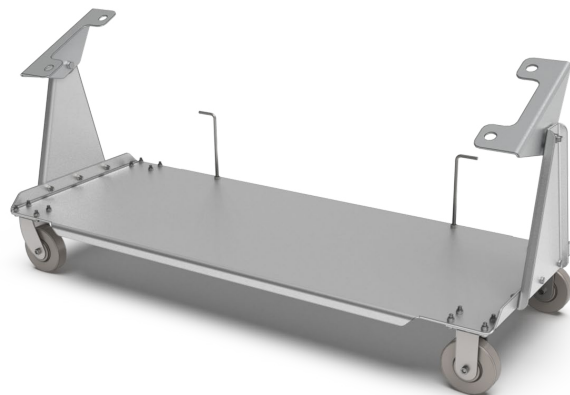
Clear tempered glass tubes, polycarbonate shield.

MOUNTING

Fixture mounted to 360° (non-continuous) adjustable rotating brackets

OPTIONS

2 row model (P/N 4372-2)
 3 row model (P/N 4372-3)
 4 row model (P/N 4372-4)



XP CARTS

PORTABLE LIGHTING - EXPLOSION PROOF

Industrial • Task Lighting



DIMENSIONS

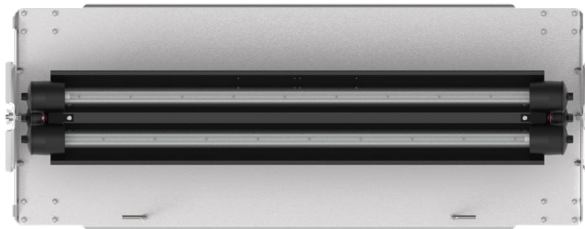
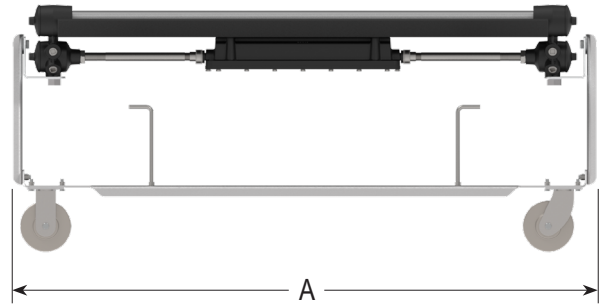
2 / 3 / 4 LED LAMP CARTS

A - 58.0"

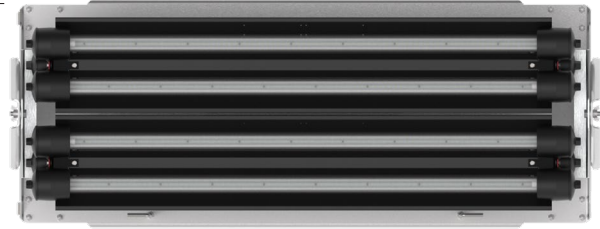
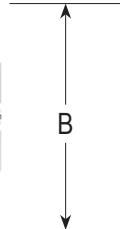
B - 24.0"

C - 24.75"

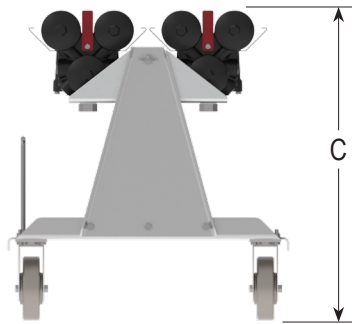
D - 57.63"



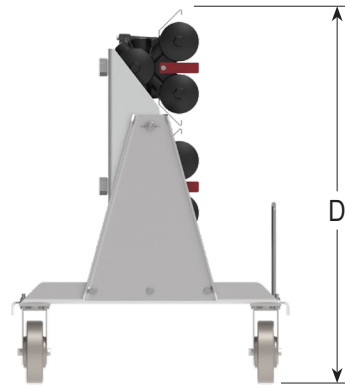
2 Row LED



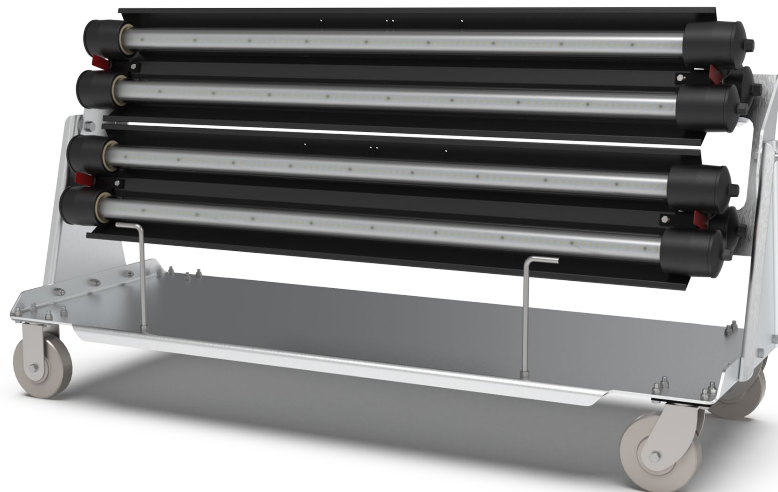
4 Row LED



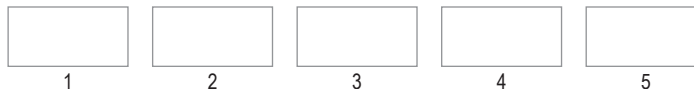
C



D



Fabricated with a white powder coat finish the 229H Series is ideal for a variety of industrial lighting needs. A unique hinged ballast cover provides easy access to internal wiring and ballast for installation or service without the need to remove lamps. The 229H uses a 5 Ft. 3-wire whip which reduces installation time by not having to open the fixture. Available in T8, T8HO, or T5HO lamps. Lamps not included.



1 SERIES	2 LAMP TYPE	3 LAMP QUANTITY	4 VOLTAGE	5 OPTIONS
229H	T5HO: 54W T8: 32W* T8HO: 44W	4L: 4 lamp 3L: 3 lamp 2L: 2 lamp	120-277: 120-277V 347-480: 347-480V (T5HO ONLY)	WG: Zinc plated wire guard** A: Pattern 12 acrylic diffuser*** EM: Battery/Driver Backup (90 Min.) **Must be installed at the factory ***Diffuser is only available in 32W T8

Notes:

(Multiple voltages available, consult factory)

*Normally stocked fixture (Consult factory for lead time on non-stock products.)

CERTIFICATIONS

UL 1598

CSA 22.2 No. 250.0

FEATURES

Heavy duty open industrial fixture

Hinged ballast plate allows for the fixture to be lamped prior to installation

Sturdy 20 gauge steel with a white powder coat finish

ELECTRICAL

Utilizes 32, 44, and 54 watt 4 Ft. lamps

Available in universal and 347 Volts electronic ballasts

(Other voltages available, consult factory)

OPTIONS

A: Pattern 12 acrylic diffuser available in 32W T8 only

WG: Zinc plated wire guard (factory installed)

EM: Emergency battery backup ballast

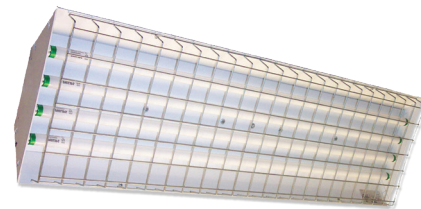
120 or 277V - MUST SPECIFY

2 or 3 Lamp options.

(lamps sold separately)

Mounting Kits - ordered separately

Chain hanging kit - #3218



WG: Zinc plated wire guard option

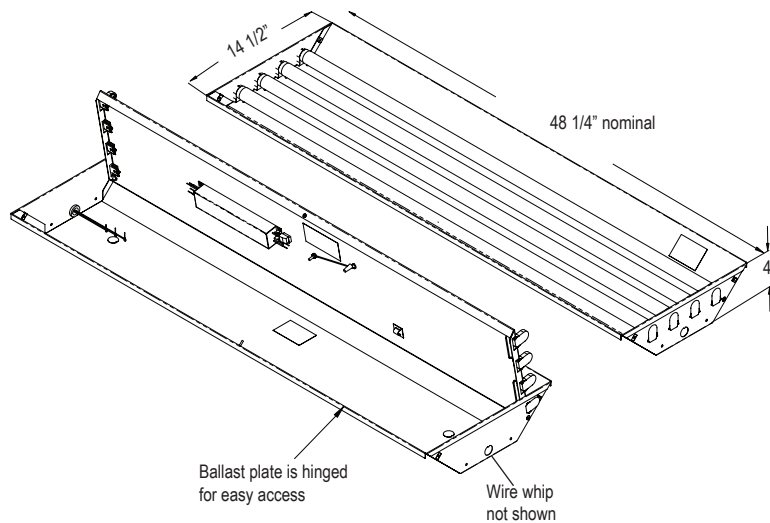
229H

GENERAL INDUSTRIAL LIGHTING

Paint Booths (Outside behind glass panel) • Assembly Areas • Task Lighting

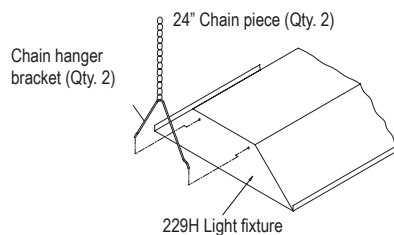


DIMENSIONS



MOUNTING

PN: 3218 Chain hang kit





LE158H

ORDINARY LOCATION - HANGING MOUNT

Industrial • Booth Lighting • Task Lighting • Commercial & Institutional Facilities

The LE158H is listed for ordinary locations where horizontal orientation of lighting is required. This product is ideal for task, and paint booth (behind the glass) applications. Fixture size and output is determined by number of LED light bars, options range from 1 to 4. Each LED light bar is individually adjustable allowing for optimal illumination of any task.

This fixture utilizes an easy mounting system. A "mounting bridge" is provided and is to be attached to the end user's structure. The fixture is then attached to the mounting bridge using the rigid hooks on the top of the fixture. A locking plate is then attached securing the fixture in place.



1 SERIES	2 SOURCE*	3 VOLTAGE	4 DIMMING*	5 CCT	6 LENS	7 LENGTH	8 ROWS
LE158H	S: Standard H: High *See Performance Table	V1: 120-277VAC (50/60Hz)	Blank: None D1: 0-10V (See Table A) D2: DALI (See Table B) *Cabling Ordered Separately	3: 3,000K 4: 4,000K 5: 5,000K	D: Diffused	2: 2 Ft. 4: 4 Ft. 6: 6 Ft. 8: 8 Ft.	1: 1 Row 2: 2 Row 3: 3 Row 4: 4 Row
9 THROUGH-FEED (TF)		10 POWER CORD (Not available w/ Through-feed)		11 OPTIONS			
Blank: No Through-Feed Wiring TF: Through-Feed Wiring (Requires H or T connector) *See through feed cable requirements		Blank: No cord. Field wiring required. CP0: Cord 6 Ft. / Plug: None CP1: Cord 6 Ft. / Plug: NEMA L5-15P CP2: Cord 6 Ft. / Plug: NEMA L7-15P CP3: Cord 6 Ft. / Plug: NEMA 5-15P		EM: Battery/Driver Backup (90Min.) UL924 SP: 10Kv Surge Protector WC: Wireless Control OC: Occupancy Sensor			
Note: - Quantity of power cords is determined by through-feed							

CERTIFICATIONS

UL1598 / CSA 22.2 No.250.0 (Ordinary)
Lumen Maintenance (L70): >60,000 hrs. (reported)
CRI >80
-40°C to 40°C Ambient Rating

CONSTRUCTION

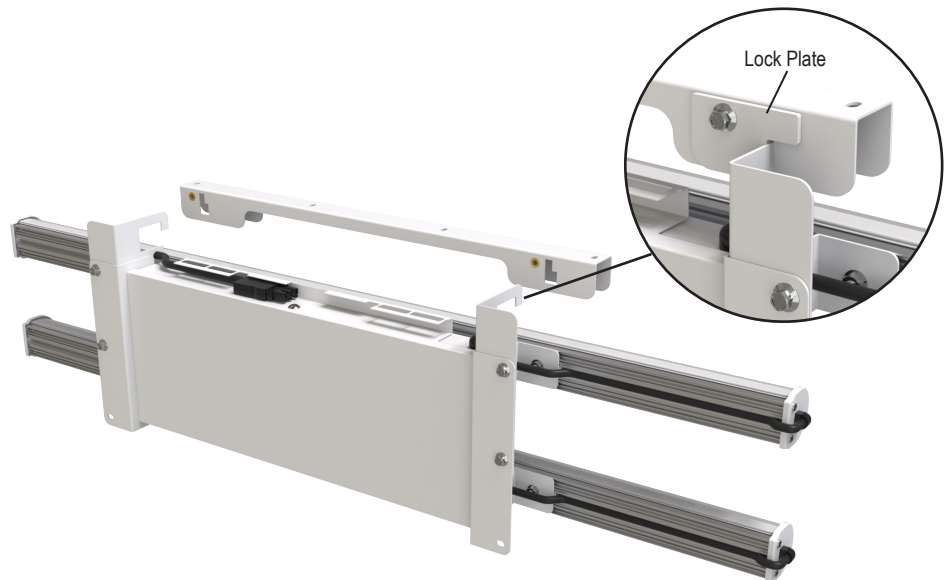
Combination of steel and aluminum
Powder coat white finish (standard)
Diffused acrylic impact resistant lens
Weights: See dimensions table

ELECTRICAL

120-277VAC
Power cords: 16/3, 600V
0-10V or DALI Dimming available

FEATURES

Sleek
Hanging Mount
(Min. Clearance of 2" Required)
Adjustable module angle (±45°)



LE158H

ORDINARY LOCATION - HANGING MOUNT

Industrial • Booth Lighting • Task Lighting • Commercial & Institutional Facilities



ELECTRICAL PERFORMANCE

Row	Source	2 Ft. Fixture		4 Ft. Fixture		6 Ft. Fixture		8 Ft. Fixture	
		Watts (W)	Input Current 120-277VAC (A)	Watts (W)	Input Current 120-277VAC (A)	Watts (W)	Input Current 120-277VAC (A)	Watts (W)	Input Current 120-277VAC (A)
1 Row	S	21	0.18 - 0.08	41	0.35 - 0.15	62	0.53 - 0.23	82	0.70 - 0.30
	H	32	0.27 - 0.12	63	0.53 - 0.23	95	0.80 - 0.35	126	1.07 - 0.46
2 Row	S	41	0.34 - 0.15	82	0.68 - 0.30	123	1.03 - 0.44	164	1.37 - 0.59
	H	63	0.53 - 0.23	126	1.05 - 0.45	189	1.58 - 0.68	252	2.10 - 0.91
3 Row	S	62	0.52 - 0.22	123	1.03 - 0.45	185	1.55 - 0.67	246	2.07 - 0.90
	H	95	0.79 - 0.34	189	1.58 - 0.69	284	2.38 - 1.03	378	3.17 - 1.37
4 Row	S	82	0.68 - 0.30	164	1.37 - 0.59	246	2.05 - 0.89	328	2.73 - 1.18
	H	126	1.05 - 0.45	252	2.10 - 0.91	378	3.15 - 1.36	504	4.20 - 1.82

LUMEN PERFORMANCE

Row	Source	CCT	Lumen Values (Diffused Lens)			
			2Ft.	4Ft.	6Ft.	8Ft.
1 Row	S	3,000K	2580	5150	7730	10300
		4,000K	2630	5260	7890	10510
		5,000K	2660	5310	7970	10620
	H	3,000K	3720	7440	11170	14890
		4,000K	3800	7600	11400	15200
		5,000K	3840	7680	11510	15350
2 Row	S	3,000K	5150	10300	15450	20600
		4,000K	5260	10510	15770	21030
		5,000K	5310	10620	15930	21240
	H	3,000K	7440	14890	22330	29780
		4,000K	7600	15200	22790	30390
		5,000K	7680	15350	23030	30700
3 Row	S	3,000K	7730	15450	23180	30900
		4,000K	7890	15770	23660	31540
		5,000K	7970	15930	23900	31860
	H	3,000K	11170	22330	33500	44670
		4,000K	11400	22790	34190	45590
		5,000K	11510	23030	34540	46050
4 Row	S	3,000K	10300	20600	30900	41210
		4,000K	10510	21030	31540	42060
		5,000K	10620	21240	31860	42480
	H	3,000K	14890	29780	44670	59560
		4,000K	15200	30390	45590	60790
		5,000K	15350	30700	46050	61400



4ft. - 4 Row

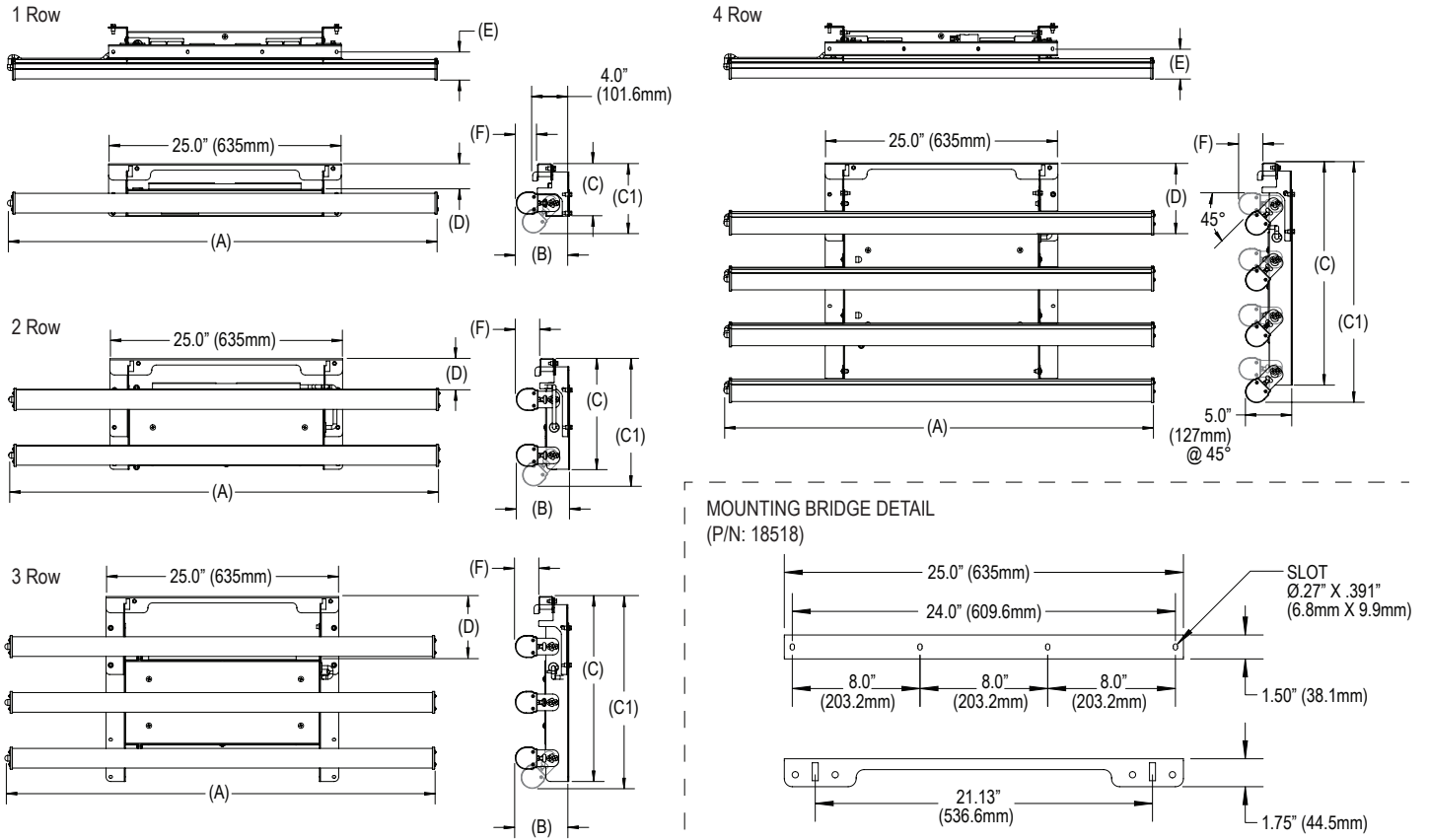


LE158H

ORDINARY LOCATION - HANGING MOUNT

Industrial • Booth Lighting • Task Lighting • Commercial & Institutional Facilities

DIMENSIONS



Fixture	# of rows	Nominal Dimensions in. (mm)						Weight (lbs.)*	
		A	B	C	C1 (45°)	D	E		F
2 Ft.	1	23.19" (589)	5.75" (146)	6.5" (165.1)	7.75" (196.9)	2.75" (69.9)	3.032" (77)	2.282" (58)	9
	2			12.25" (311.1)	13.75" (349.3)	3.75" (95.3)			14
	3			19.88" (504.8)	20.75" (527.1)	6.88" (174.6)			19
	4			23.88" (606.4)	24.75" (628.7)	7.75" (196.9)			23
4 Ft.	1	46.38" (1,178)	5.75" (146)	6.5" (165.1)	7.75" (196.9)	2.75" (69.9)	3.032" (77)	2.282" (58)	14
	2			12.25" (311.1)	13.75" (349.3)	3.75" (95.3)			21
	3			19.88" (504.8)	20.75" (527.1)	6.88" (174.6)			28
	4			23.88" (606.4)	24.75" (628.7)	7.75" (196.9)			35
6 Ft.	1	69.56" (1,767)	6.0" (152)	9.0" (228.6)	10.88" (276.2)	2.75" (69.9)	2.706" (68.7)	1.956" (49.7)	21
	2			15.5" (393.7)	16.88" (428.6)	3.75" (95.3)			32
	3			20.5" (520.7)	21.88" (555.6)	6.88" (174.6)			42
	4			24.5" (622.3)	25.88" (657.2)	7.75" (196.9)			53
8 Ft.	1	91.0" (2,311)	6.0" (152)	9.0" (228.6)	10.88" (276.2)	2.75" (69.9)	2.706" (68.7)	1.956" (49.7)	30
	2			15.5" (393.7)	16.88" (428.6)	3.75" (95.3)			45
	3			20.5" (520.7)	21.88" (555.6)	6.88" (174.6)			60
	4			24.5" (622.3)	25.88" (657.2)	7.75" (196.9)			74

Note: "D" column dimension is the distance from mounting surface to the driver housing side. Reference for cable management spacing.

*approximate



LE158H

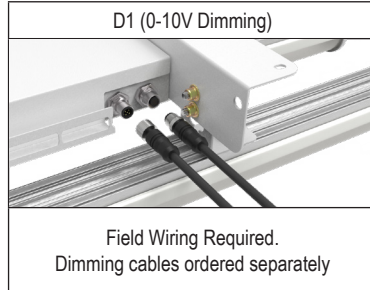
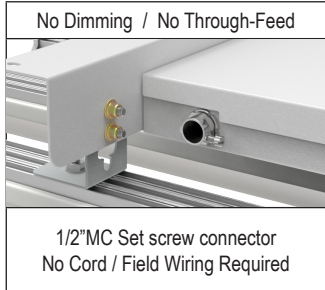
ORDINARY LOCATION - HANGING MOUNT

Industrial • Booth Lighting • Task Lighting • Commercial & Institutional Facilities

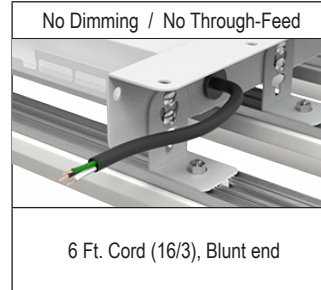


POWER / CABLING (NO CORD "BLANK")

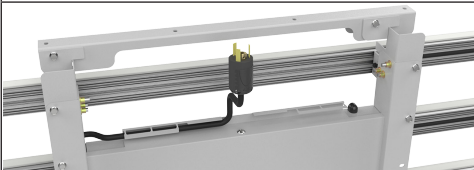


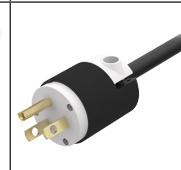
Note: Mounting hardware not shown for illustration purposes



POWER / CABLING (CPO CORD OPTION)



POWER / CABLING (CP1 TO CP3 CORD / PLUG OPTIONS)

CP1 - CP3 Cord	Cord: CP1	Cord: CP2	Cord: CP3
			
6 Ft. Cord (16/3) with CP1 to CP3 specified plug	NEMA L5-15	NEMA L7-15	NEMA 5-15

THROUGH FEED CABLE REQUIREMENTS

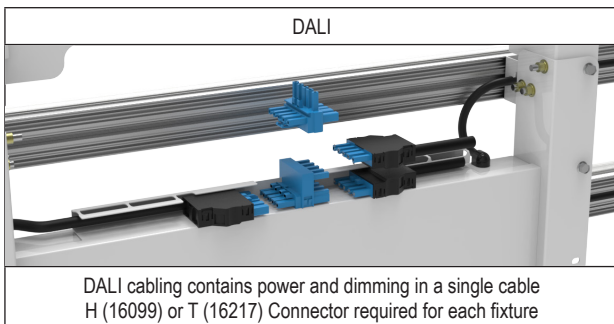
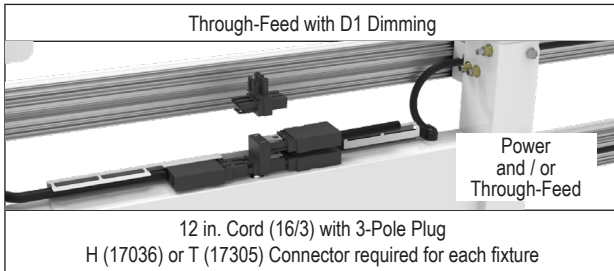
Power cables (to power the first fixture in the series when through feed is used)

Mfg #	Cord #	Description
17055	CP1	6 Ft. Cable, 14/3, 120V NEMA L5-15
17103	CP2	6 Ft. Cable, 14/3, 277V NEMA L7-15
17104	CP3	6 Ft. Cable, 14/3, 120V NEMA 5-15

Power / Cabling Instructions for Through-Feed

Through-Feed cables are required to link fixtures. Each series of fixtures will require a power source (cord). Number of fixtures that can be linked is 4. All cables and connectors ordered separately. Consult sales for more information.

Through-Feed Cables (3-Pole)		Through-Feed Cables DALI	
Part #	Length	Part #	Length
17034-10	10 Ft.	15975	10 Ft.
17034-15	15 Ft.	16281	15 Ft.
17034-25	25 Ft.	15976	25 Ft.
17034-50	50 Ft.	15977	50 Ft.
17036	H Connector	15978	100 Ft.
17305	T Connector	16099	H Connector
		16217	T Connector



0-10V Dimming Cables	
Part #	Length
16350	9.8 Ft. (3 M)
16349	16.4 Ft. (5 M)
14772	32.8 Ft. (10 M)
16348	49.2 Ft. (15 M)



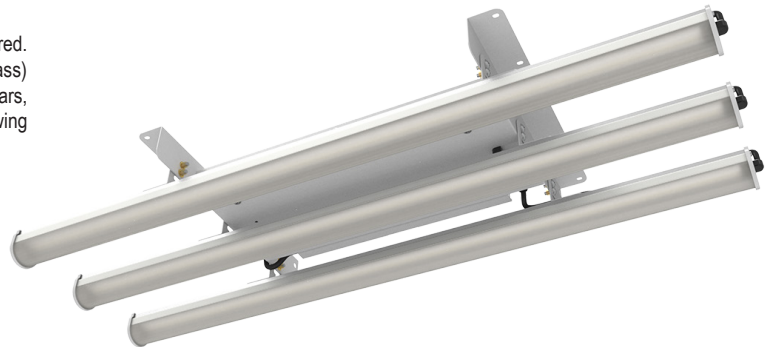


LE158S

ORDINARY LOCATION - SURFACE MOUNT

Industrial • Booth Lighting • Task Lighting • Commercial & Institutional Facilities

The LE158S is listed for ordinary locations where overhead lighting is required. This product is ideal for industrial, task, and paint booth (behind the glass) applications. Fixture size and output is determined by number of LED light bars, options range from 1 to 4. Each LED light bar is individually adjustable allowing for optimal illumination of any task.



1 SERIES	2 SOURCE*	3 VOLTAGE	4 DIMMING*	5 CCT	6 LENS	7 LENGTH	8 ROWS
LE158S	S: Standard H: High *See Performance Table	V1: 120-277VAC (50/60Hz)	Blank: None D1: 0-10V (See Table A) D2: DALI (See Table B) *Cabling Ordered Separately	3: 3,000K 4: 4,000K 5: 5,000K	D: Diffused	2: 2 Ft. 4: 4 Ft. 6: 6 Ft. 8: 8 Ft.	1: 1 Row 2: 2 Row 3: 3 Row 4: 4 Row
9 THROUGH-FEED (TF)		10 POWER CORD (Not available w/ Through-feed)			11 OPTIONS		
Blank: No Through-Feed Wiring TF: Through-Feed Wiring (Requires H or T connector) *See through feed cable requirements		Blank: No cord. Field wiring required. CP0: Cord 6 Ft. / Plug: None CP1: Cord 6 Ft. / Plug: NEMA L5-15P CP2: Cord 6 Ft. / Plug: NEMA L7-15P CP3: Cord 6 Ft. / Plug: NEMA 5-15P			EM: Battery/Driver Backup (90Min.) UL924** SP: 10Kv Surge Protector WC: Wireless Control OC: Occupancy Sensor **EM: 2FT & 4FT Single row fixtures contain larger housing - See dimension table		
Note: - Quantity of power cords is determined by through-feed							

CERTIFICATIONS

UL1598 / CSA 22.2 No.250.0 (Ordinary)
Lumen Maintenance (L70): >60,000 hrs. (reported)
CRI >80
-40°C to 40°C Ambient Rating

CONSTRUCTION

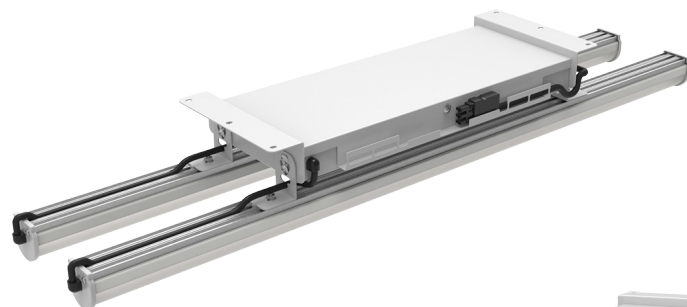
Combination of steel and aluminum
Powder coat white finish (standard)
Diffused acrylic impact resistant lens
Weights: See dimensions table

ELECTRICAL

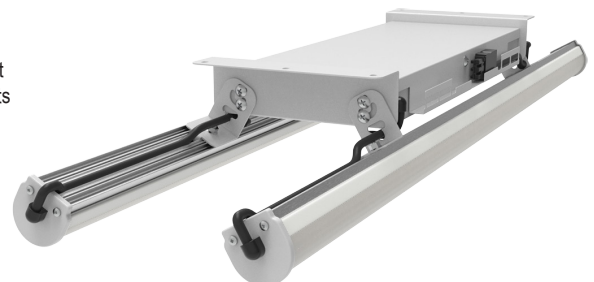
120-277VAC
Power cords: 16/3, 600V
0-10V or DALI Dimming available

FEATURES

Sleek
Surface Mount
Cable Mount Ready
(Min. Clearance of 2" Required)
Adjustable module angle (±45°)



±45° LED module adjustment to direct the light. Adjustments are made in the field.



LE158S

ORDINARY LOCATION - SURFACE MOUNT

Industrial • Booth Lighting • Task Lighting • Commercial & Institutional Facilities



ELECTRICAL PERFORMANCE

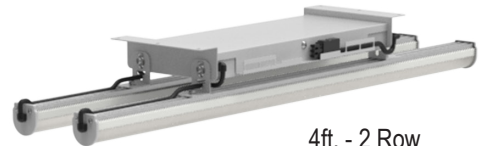
Row	Source	2 Ft. Fixture		4 Ft. Fixture		6 Ft. Fixture		8 Ft. Fixture	
		Watts (W)	Input Current 120-277VAC (A)	Watts (W)	Input Current 120-277VAC (A)	Watts (W)	Input Current 120-277VAC (A)	Watts (W)	Input Current 120-277VAC (A)
1 Row	S	21	0.18 - 0.08	41	0.35 - 0.15	62	0.53 - 0.23	82	0.70 - 0.30
	H	32	0.27 - 0.12	63	0.53 - 0.23	95	0.80 - 0.35	126	1.07 - 0.46
2 Row	S	41	0.34 - 0.15	82	0.68 - 0.30	123	1.03 - 0.44	164	1.37 - 0.59
	H	63	0.53 - 0.23	126	1.05 - 0.45	189	1.58 - 0.68	252	2.10 - 0.91
3 Row	S	62	0.52 - 0.22	123	1.03 - 0.45	185	1.55 - 0.67	246	2.07 - 0.90
	H	95	0.79 - 0.34	189	1.58 - 0.69	284	2.38 - 1.03	378	3.17 - 1.37
4 Row	S	82	0.68 - 0.30	164	1.37 - 0.59	246	2.05 - 0.89	328	2.73 - 1.18
	H	126	1.05 - 0.45	252	2.10 - 0.91	378	3.15 - 1.36	504	4.20 - 1.82

LUMEN PERFORMANCE

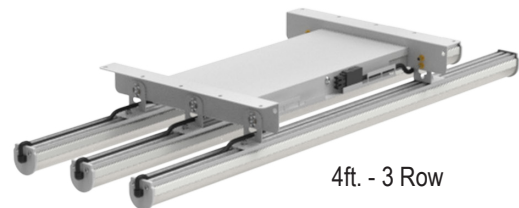
Row	Source	CCT	Lumen Values (Diffused Lens)			
			2Ft.	4Ft.	6Ft.	8Ft.
1 Row	S	3,000K	2580	5150	7730	10300
		4,000K	2630	5260	7890	10510
		5,000K	2660	5310	7970	10620
	H	3,000K	3720	7440	11170	14890
		4,000K	3800	7600	11400	15200
		5,000K	3840	7680	11510	15350
2 Row	S	3,000K	5150	10300	15450	20600
		4,000K	5260	10510	15770	21030
		5,000K	5310	10620	15930	21240
	H	3,000K	7440	14890	22330	29780
		4,000K	7600	15200	22790	30390
		5,000K	7680	15350	23030	30700
3 Row	S	3,000K	7730	15450	23180	30900
		4,000K	7890	15770	23660	31540
		5,000K	7970	15930	23900	31860
	H	3,000K	11170	22330	33500	44670
		4,000K	11400	22790	34190	45590
		5,000K	11510	23030	34540	46050
4 Row	S	3,000K	10300	20600	30900	41210
		4,000K	10510	21030	31540	42060
		5,000K	10620	21240	31860	42480
	H	3,000K	14890	29780	44670	59560
		4,000K	15200	30390	45590	60790
		5,000K	15350	30700	46050	61400



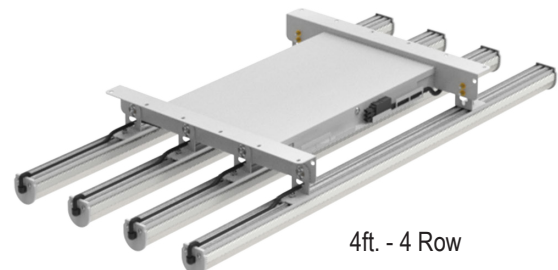
4ft. - 1 Row



4ft. - 2 Row



4ft. - 3 Row



4ft. - 4 Row



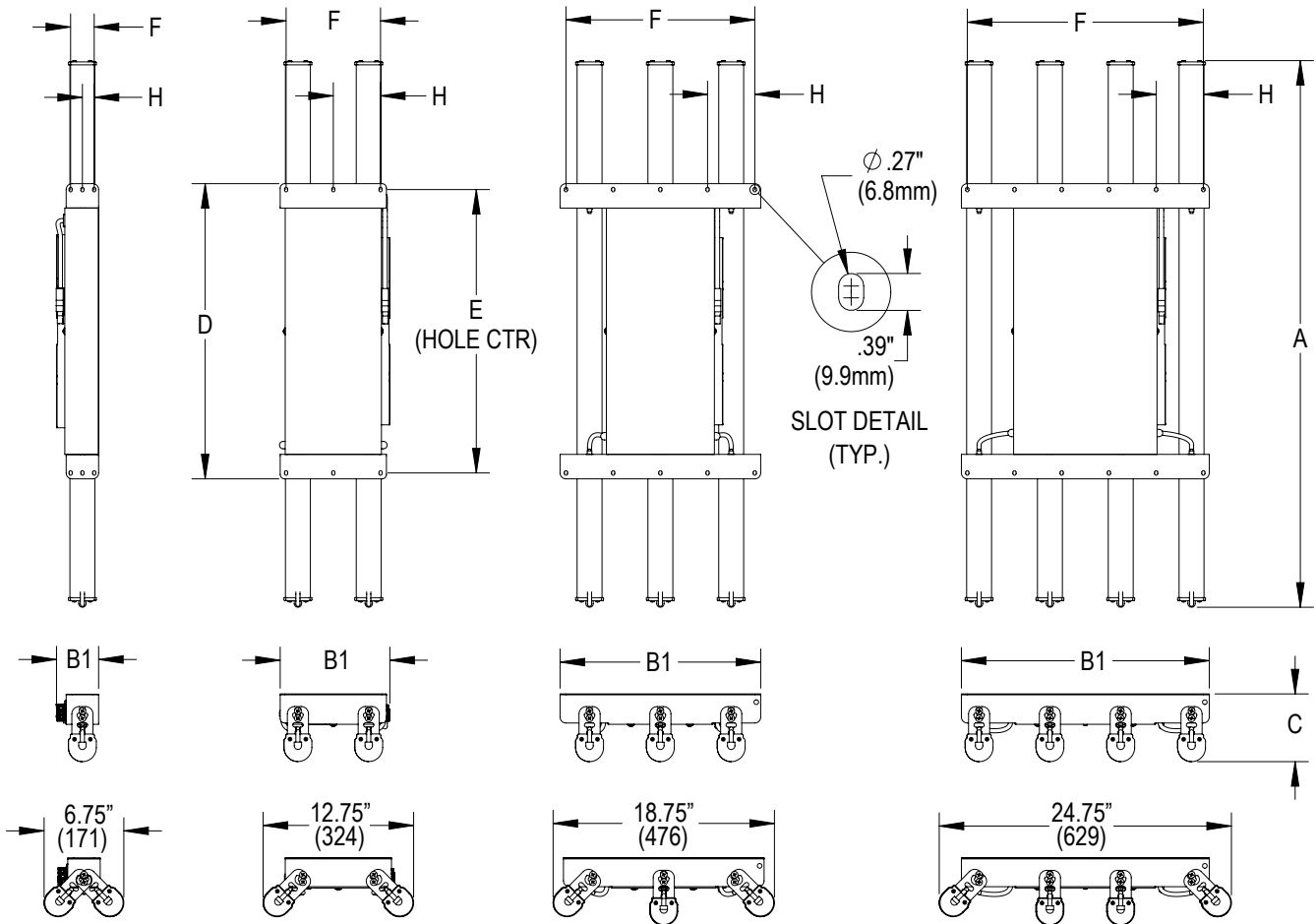


LE158S

ORDINARY LOCATION - SURFACE MOUNT

Industrial • Booth Lighting • Task Lighting • Commercial & Institutional Facilities

DIMENSIONS



Fixture	# of rows	Nominal Dimensions in. (mm)			Weight (lbs.)
		A	B1	C	
2 Ft.	1	23.19" (589)	3.63" (92)	5.75" (146)	9
	2		9.25" (235)		14
	3		17.0" (432)		19
	4		21.0" (533)		23
4 Ft.	1	46.38" (1,178)	3.63" (92)	6.0" (152)	14
	2		9.25" (235)		21
	3		17.0" (432)		28
	4		21.0" (533)		35
6 Ft.	1	69.56" (1,767)	6.25" (159)	6.0" (152)	21
	2		12.75" (324)		32
	3		17.75" (451)		42
	4		21.75" (552)		53
8 Ft.	1	91.0" (2,311)	6.25" (159)	6.0" (152)	30
	2		12.75" (324)		45
	3		17.75" (451)		60
	4		21.75" (552)		74

EM Fixture	# of rows	Emergency Fixture Dimensions			Weight (lbs.)
		A	B1	C	
2 Ft.	1	23.19" (589)	5.9" (150)	5.75" (146)	10
4 Ft.		46.38 (1,178)			15

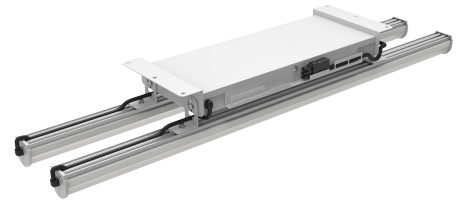
Mounting Dimensions					
# of rows	Nominal Dimensions in. (mm)				
	D	E	F	G	H
1	25.0" (635)	24.0" (610)	2.0" (51)	2.0" (51)	1.0" (25)
2			8.0" (203)	8.0" (203)	4.0" (102)
3			16.0" (406)	8.0" (203)	
4			20.0" (508)	12.0" (305)	



LE158S

ORDINARY LOCATION - SURFACE MOUNT

Industrial • Booth Lighting • Task Lighting • Commercial & Institutional Facilities



POWER / CABLING (NO CORD "BLANK")

Conduit Connection

1/2" MC Set screw connector
No Cord / Field Wiring Required

D1 (0-10V Dimming)

Field Wiring Required.
Dimming cables ordered separately

POWER / CABLING (CPO CORD OPTION)

No Dimming / No Through-Feed

6 Ft. Cord (16/3), Blunt end

POWER / CABLING (CP1 TO CP3 CORD / PLUG OPTIONS)

CP1 - CP3 Cord	Cord: CP1	Cord: CP2	Cord: CP3
6 Ft. Cord (16/3) with CP1 to CP3 specified plug	NEMA L5-15	NEMA L7-15	NEMA 5-15

THROUGH FEED CABLE REQUIREMENTS

Power cables (to power the first fixture in the series when through feed is used)		
Mfg #	Cord #	Description
17055	CP1	6 Ft. Cable, 14/3, 120V NEMA L5-15
17103	CP2	6 Ft. Cable, 14/3, 277V NEMA L7-15
17104	CP3	6 Ft. Cable, 14/3, 120V NEMA 5-15

Power / Cabling Instructions for Through-Feed

Through-Feed cables are required to link fixtures. Each series of fixtures will require a power source (cord). Number of fixtures that can be linked is 4. All cables and connectors ordered separately. Consult sales for more information.

Through-Feed with D1 Dimming

Power and / or Through-Feed

12 in. Cord (16/3) with 3-Pole Plug
H (17036) or T (17305) Connector required for each fixture

Through-Feed Cables (3-Pole)	
Part #	Length
17034-10	10 Ft.
17034-15	15 Ft.
17034-25	25 Ft.
17034-50	50 Ft.
17036	H Connector
17305	T Connector

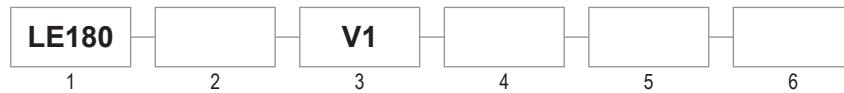
Through-Feed Cables DALI	
Part #	Length
15975	10 Ft.
16281	15 Ft.
15976	25 Ft.
15977	50 Ft.
15978	100 Ft.
16099	H Connector
16217	T Connector

DALI

DALI cabling contains power and dimming in a single cable
H (16099) or T (16217) Connector required for each fixture

0-10V Dimming Cables	
Part #	Length
16350	9.8 Ft. (3 M)
16349	16.4 Ft. (5 M)
14772	32.8 Ft. (10 M)
16348	49.2 Ft. (15 M)

The LE180 Series is a line of LED Open Industrial luminaires. It can be used in dry or damp ordinary location applications. These luminaires can be mounted vertically, horizontally, surface mounted, or hung.



1 SERIES	2 SOURCE	3 VOLTAGE	4 CCT	5 OPTIC	6 OPTIONS
LE180	L1: 53W L2: 75W	V1: 120-277VAC (50/60Hz)	4: 4,000K 5: 5,000K	Blank: None D: Diffused	SP: Surge Protection EM: Battery/Driver Backup (90min.) D1: 0-10V Dimming* CP: 6 Ft. Blunt End Cord CP1: 6 Ft. Cord w/120V Twist Lock Plug CP2: 6 Ft. Cord w/277V Twist Lock Plug CP3: 6 Ft. Cord w/120V Straight Blade Plug SM: Surface Mount Bracket
Note: 5 Ft. 14/3 wire whip - standard					* With cord option: M12 connector * Without cord option: 2nd box connector

CERTIFICATIONS

UL 1598 (Dry or Damp Locations)
CSA 22.2 No. 250.0
40°C Ambient Rating

CONSTRUCTION

Heavy-duty, open industrial fixture
Sturdy 20 gauge steel
Durable, white powder coat finish

FEATURES

Programmable Driver
Reduced installation time
CRI >80



LE180

ORDINARY LOCATION LED LIGHTING

Paint Booths (Non-Hazardous Locations) • Task • Industrial

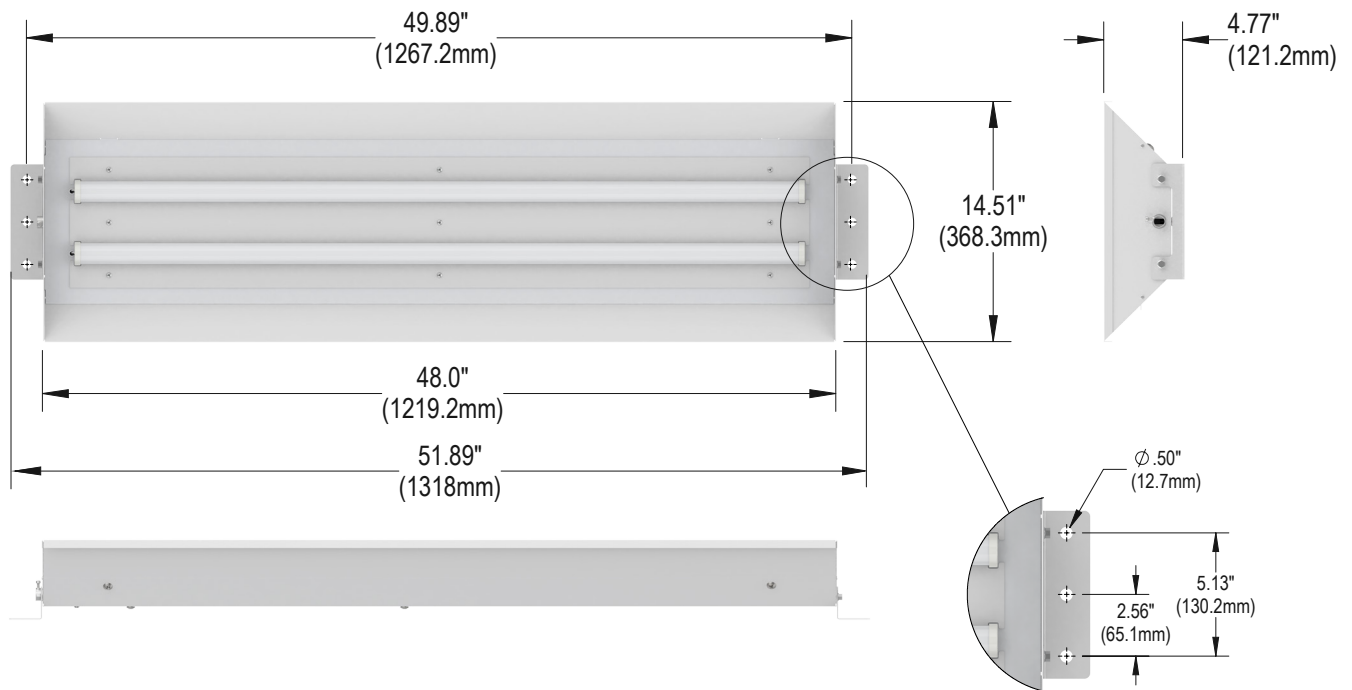


PERFORMANCE

Source	Wattage (W)	Input Voltage (VAC)	Input Current (A) @ 120V	Input Current (A) @ 277V	Output at 5,000K CCT	
					Lumen Output (Diffused Lens)	Lumen Output (No Lens)
L1	53	120-277V	0.44	0.19	6,640	8,120
L2	75		0.64	0.28	9,220	11,400

DIMENSIONS

Shown with optional (#SM) surface mount brackets. Purchased and installed separately



Shown with optional (#SM) mounting brackets. Purchased and installed separately



The LE181 Series is a hinged, front access, recessed mount, LED luminaire. The LE181 is made of a combination of 20 gauge cold rolled steel and .090 aluminum. This LED fixture is available in 4 Ft. lengths with 1, 2, or 3 rows of LED's. This fixture can be used with or without optics, has dimming capabilities, and is available with an EM option.



LE181		V1				
1	2	3	4	5	6	7

1 SERIES	2 POWER	3 VOLTAGE	4 OPTIC
LE181	58: 58W (6985Lm) 1 Row 73: 73W (8700Lm) 1 Row 115: 115W (13970Lm) 2 Rows 145: 145W (17400Lm) 2 Rows 172: 172W (20955Lm) 3 Rows 218: 218W (26100Lm) 3 Rows	V1: 120-277V 50/60Hz	Blank: None A: Diffused Acrylic
5 DIMMING	6 CCT	7 ADD-ON OPTIONS	
Blank: None D1: 0-10V (Additional Hub Required)	3: 3500K 4: 4000K 5: 5000K	SP: Surge Protector EM: Battery/Driver Backup (90 Min.) CP1: Cord 6Ft 120V Twist Lock CP2: Cord 6Ft 277V Twist Lock CP3: Cord 6Ft 120V Straight Blade	



CERTIFICATIONS

CSA 22.2 No. 137.0, No. 250.0, and No. 250.13
 -30°C to 55°C Ambient Rating

CONSTRUCTION

20 Gauge Steel Powder Coated White Housing
 Hinged, Inside (Front) Access Panel
 4 Ft. Length
 3 Wire Whip 8' Standard
 Clear Tempered Glass Lens
 Fits the Same Opening as Slim Light and LE481 Series

PERFORMANCE

58W - 218W (5600Lm - 26000Lm)
 CCT: 3500 - 5000K
 CRI >80

LE181

GENERAL LED INDUSTRIAL LIGHTING

Clean Room

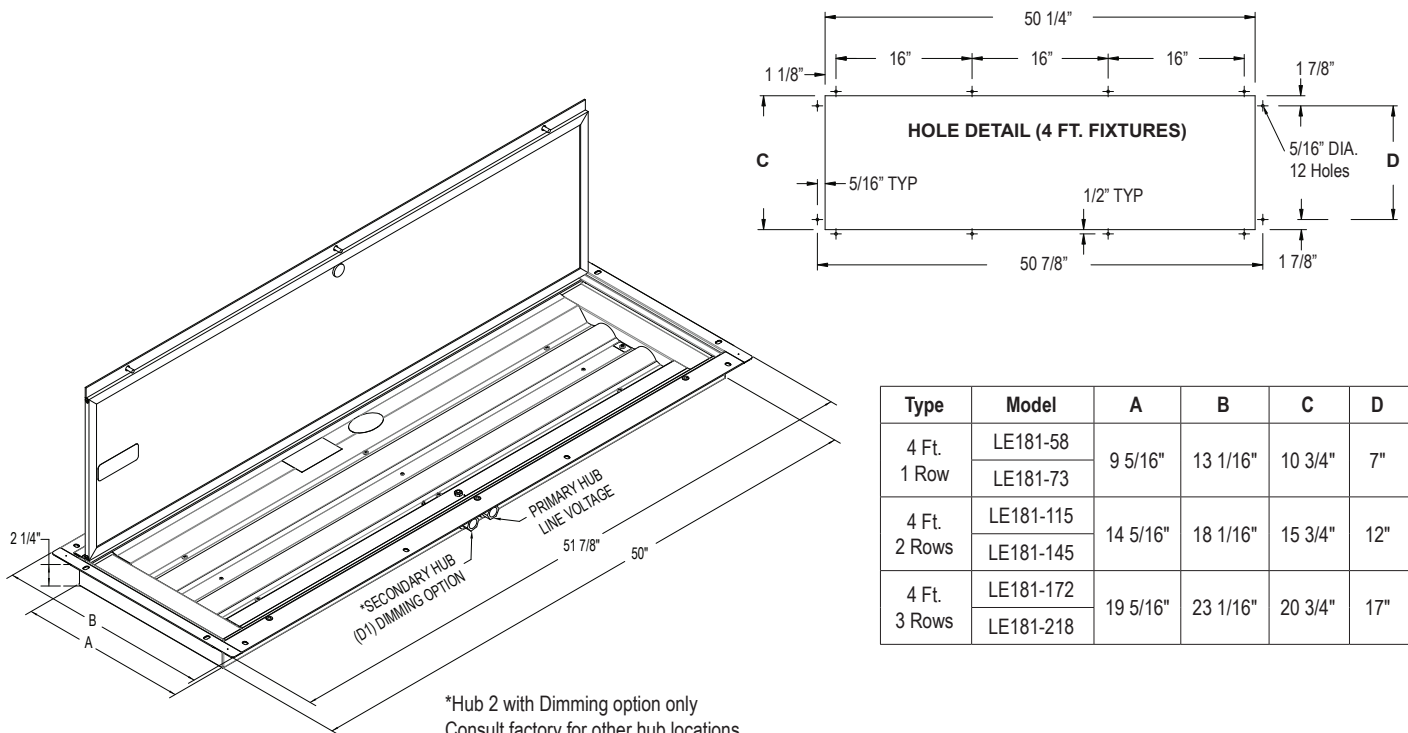


PERFORMANCE

Type	Model	Input Voltage (VAC)	Input Current (A)	Wattage (W)	OPTIC	
					Blank: None Nominal Lumen Output @ 5000K*	A: Diffused Acrylic Nominal Lumen Output at 5000K*
4 Ft. 1 Row	LE181-58	120-277V	0.49 - 0.22	58	6985	5640
	LE181-73		0.61 - 0.28	73	8700	7025
4 Ft. 2 Rows	LE181-115		0.97 - 0.44	115	13970	11280
	LE181-145		1.22 - 0.55	145	17400	14050
4 Ft. 3 Rows	LE181-172		1.45 - 0.65	172	20955	16920
	LE181-218		1.84 - 0.83	218	26100	21075

* Lumen values shown are nominal.

DIMENSIONS



Type	Model	A	B	C	D
4 Ft. 1 Row	LE181-58	9 5/16"	13 1/16"	10 3/4"	7"
	LE181-73				
4 Ft. 2 Rows	LE181-115	14 5/16"	18 1/16"	15 3/4"	12"
	LE181-145				
4 Ft. 3 Rows	LE181-172	19 5/16"	23 1/16"	20 3/4"	17"
	LE181-218				

*Hub 2 with Dimming option only
Consult factory for other hub locations

The LE182 Series is a hinged, rear access, recessed mount LED luminaire. The LE182 is made of a combination of 20 Ga. cold rolled steel and .090 aluminum. It is available in a 4 Ft. length with 1, 2, and 3 rows of LEDs. This fixture can be used with or without optics, has dimming capabilities, and is available with an EM option.



LE182		V1				
1	2	3	4	5	6	7

1 SERIES	2 POWER	3 VOLTAGE	4 OPTIC
LE182	58: 58W (6985Lm) 1 Row 73: 73W (8700Lm) 1 Row 115: 115W (13970Lm) 2 Rows 145: 145W (17400Lm) 2 Rows 172: 172W (20955Lm) 3 Rows 218: 218W (26100Lm) 3 Rows	V1: 120-277V 50/60Hz	BLANK: None A: Diffused Acrylic
5 DIMMING	6 CCT	7 ADD-ON OPTIONS	
Blank: None D1: 0-10V (Additional Hub Required)	3: 3500K 4: 4000K 5: 5000K	SP: Surge Protector EM: Battery/Driver Backup (90 Min.) PG: Prismatic Glass CP1: Cord 6Ft 120V Twist Lock CP2: Cord 6Ft 277V Twist Lock CP3: Cord 6Ft 120V Straight Blade	

CERTIFICATIONS

UL 1598 Wet/Damp
 CSA 22.2 No. 137.0, No. 250.0, No. 250.13
 -30°C to 55°C Ambient Rating, internal thermal protection

CONSTRUCTION

20 Gauge Steel Powder Coated White Housing
 Hinged, Rear Access Panel
 4 Ft. Length
 Clear Tempered Glass Lens
 3 Wire Whip (8') Standard

PERFORMANCE

58W - 218W (5600Lm - 26000Lm)
 CCT: 3500 - 5000K
 CRI >80

OPTIONS

Surge Protection
 Emergency Driver
 Dimming 0-10V



LE182

GENERAL LED INDUSTRIAL LIGHTING

Clean Room

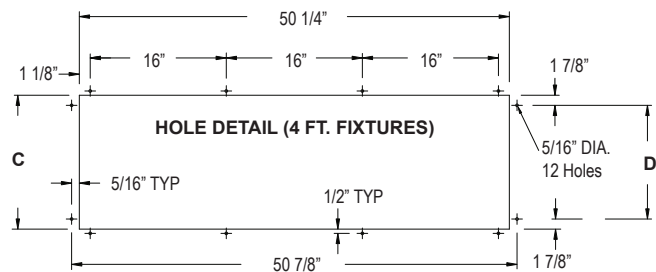
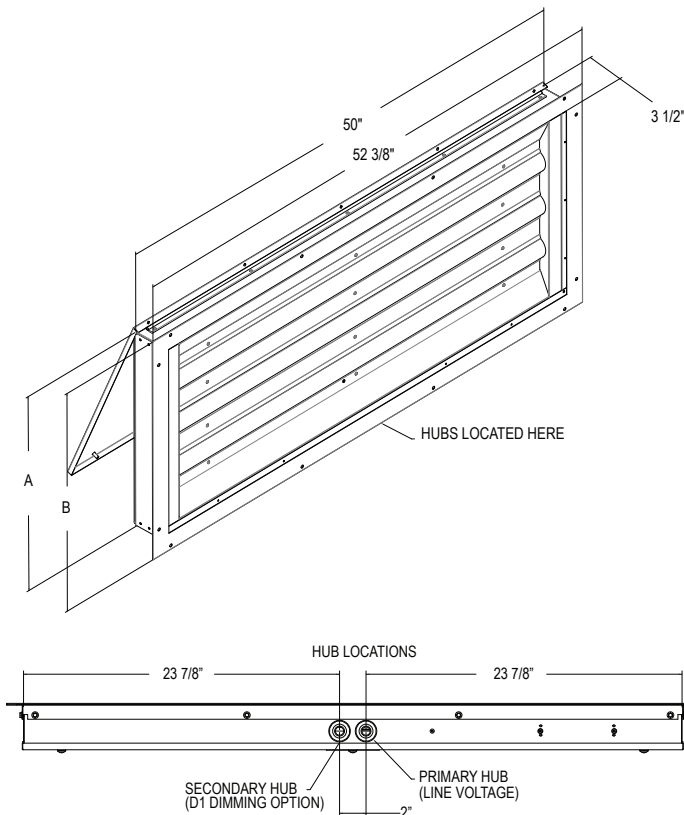


PERFORMANCE

Type	Model	Input Voltage (VAC)	Input Current (A)	Wattage (W)	OPTIC	
					Blank: None Nominal Lumen Output @ 5000K*	A: Diffused Acrylic Nominal Lumen Output at 5000K*
4 Ft. 1 Row	LE182-58	120-277V	0.49 - 0.22	58	6985	5640
	LE182-73		0.61 - 0.28	73	8700	7025
4 Ft. 2 Rows	LE182-115		0.97 - 0.44	115	13970	11280
	LE182-145		1.22 - 0.55	145	17400	14050
4 Ft. 3 Rows	LE182-172		1.45 - 0.65	172	20955	16920
	LE182-218		1.84 - 0.83	218	26100	21075

* Lumen values shown are nominal.

DIMENSIONS



Type	Model	A	B	C	D
4 Ft. 1 Row	LE182-58	10 1/2"	12 1/2"	10 3/4"	7"
	LE182-73				
4 Ft. 2 Rows	LE182-115	15 1/2"	17 1/2"	15 3/4"	12"
	LE182-145				
4 Ft. 3 Rows	LE182-172	20 1/2"	22 1/2"	20 3/4"	17"
	LE182-218				

Note:
Secondary hub for dimming option only.
Consult factory for other hub locations

CLING-ON PLASTIC LENS ROLL FILM

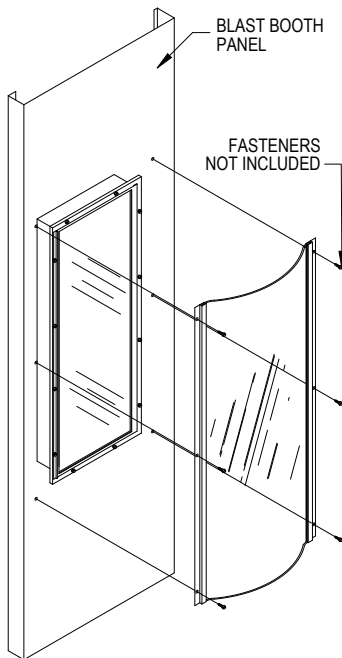
Transparent roll film protects windows and light fixtures from over-spray in paint booths. Application and removal is quick and easy making this product a clear choice for your cleanup solution.

- 3 Mil plastic film with custom acrylic adhesive
- Protects lens coverings from overspray
- Applies easily to clean lens
- Available In 12in., 18in., and 25in. widths
- 100 Ft. per roll

Part #	Description
3312	Dispenser Handle (For 12" and 18" wide rolls only)
3263	12in. wide film roll.
3188	18in. wide film roll.
4348	25in. wide film roll. Single roll.

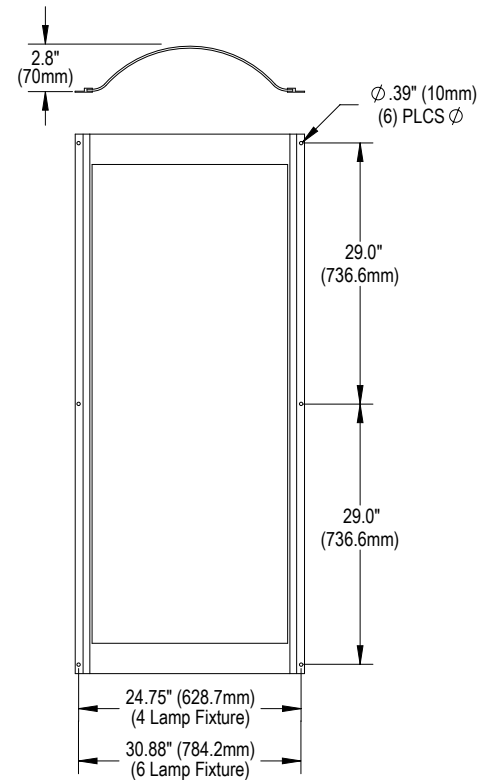


BLAST BOOTH LENS COVER KITS (For use with the Slim Light and 400 Series)



- Helps protect fixture from high pressure blast media
- 1/16" clear polycarbonate lens
- Lenses are easily interchangeable
- Perfect for rear access fixtures
- For front access, lens cover needs to be removed for relamping.

Part Number	Description
3318	Lens Kit (4 lamp fixture)
3316	Lens Only (4 lamp fixture)
7668	Lens Kit (6 lamp fixture)
7682	Lens Only (6 lamp fixture)

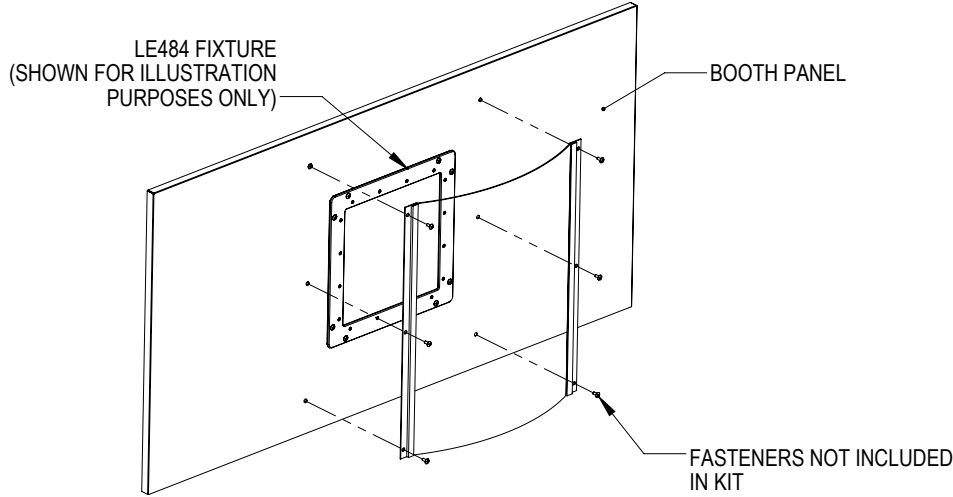


LENS PROTECTION

FIXTURE PRESERVATION

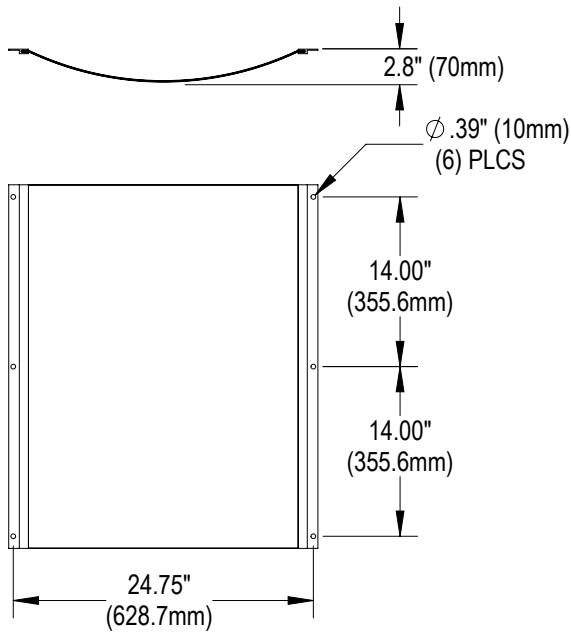
Paint Booth • Powder Booth • Blast Booth

BLAST BOOTH LENS COVER KIT (For use with the LE484 Series)



- Helps protect fixture from high pressure blast media
- 1/8" clear polycarbonate lens
- Lenses are easily interchangeable

Part Number	Description
17650	Lens Kit
17649	Lens Only



The LEXF is designed and listed for **CI D1** explosion, hazardous, marine and wet locations. This product is ideal for retrofitting High Pressure Sodium (HPS) and Metal Halide (MH) fixtures for increased energy savings and maintenance.



Inquire for specific DLC qualifying configurations



1 SERIES	2 SOURCE	3 VOLTAGE	4 CCT	5 OPTICS / BEAM	6 LENS
LEXF	L1: 80W L2: 100W L3: 150W	V1: 120-277VAC (50/60Hz) V2: 347-480VAC (50/60Hz)	3: 3,000K 4: 4,000K 5: 5,000K	V25: 25° V60: 60° V120: 120°	C: Clear
Note: Product comes standard with: (3) 3/4" NPT Hubs: pendent and two sides hubs, and a yoke bracket pre-installed 10Kv Surge Protector built in 3 Ft. 3-Wire whip, factory installed					

CERTIFICATIONS

UL844 / CSA C22.2 No.137 (Hazardous)
 CI D1, Grps C,D
 CI D2, Grps A,B,C,D
 CII D2, Grps F,G
 CIII
 Simultaneous Presence
 Paint Spray Listed
 T-Codes: CI D1=T6 / CI D2=T4A / CII D2=T4A
 UL1598 (Wet/Damp)
 UL1598A (Marine Outside)
 DLC (inquire for specific part numbers)
 Lumen Maintenance (L70) >50,000 hrs. (reported)
 CRI >70
 -40°C to 60°C Ambient
 RH Ambient Humidity 5% to 95%
 NEMA 3 and NEMA 4X
 IP66
 FCC

CONSTRUCTION

Copper-free aluminum housing and yoke
 Tempered glass lens
 Powder coat black
 (3) 3/4" NPT Hubs
 All exposed fasteners are stainless steel
 Weight: 34 lbs.

ELECTRICAL

120-277 / 347-480VAC
 10Kv surge protector built in - Standard
 3Ft. 3-Wire whip standard, factory installed

FEATURES

High Lumen output up to 130 Lm/W
 5G Vibration Rating
 Thermal Shock and impact resistant lens
 Mounting: Wall (Flood), Stanchion, Ceiling, and Pendent
 Light weight compact design
 5 Year Warranty

PERFORMANCE

Source	Voltage (VAC) 50/60Hz	Input Current (A)	Wattage (W)	CCT	Lumens* (Lm)
L1	120-277	.67 - .29	80	3,000K	9610
				4,000K	9720
				5,000K	10290
L2	120-277	.83 - .36	100	3,000K	11,630
				4,000K	11760
				5,000K	12280
L3	120-277	1.25 - .54	150	3,000K	18160
				4,000K	18360
				5,000K	18650

*Nominal values

LEXF

EXPLOSION PROOF

Chemical Processing • Grain Processing • Metals & Mining • Oil / Gas • Water Treatment



ACCESSORIES - (Field Installed, Order Separately)

Part Number	Description	
WG01	Wire Guard Stainless Steel 304 (not suitable for use in paint spray applications)	
SN01-BK	Slip Fitter Mount Bracket (Powder Coated Black) Fits 2 3/8" (60mm) Outside Diameter Stanchion	

SUGGESTED MOUNTING



Wall / Flood



Ceiling (shown with wire guard)
(#WG01 ordered separately)



Pendent*

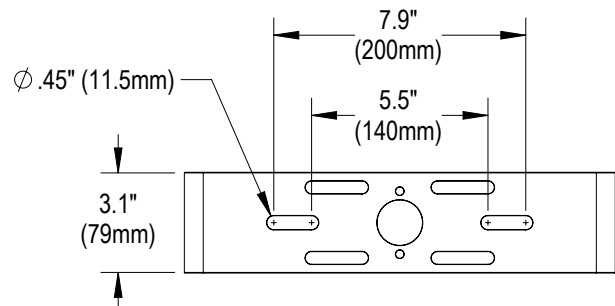
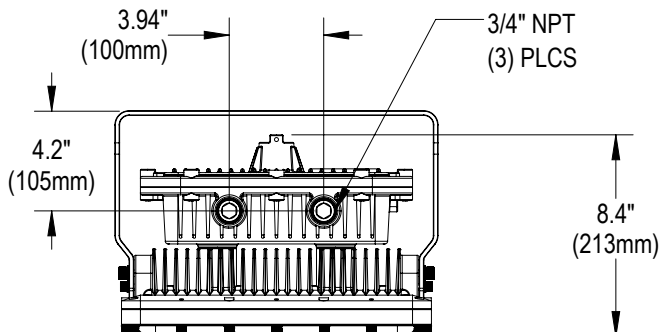
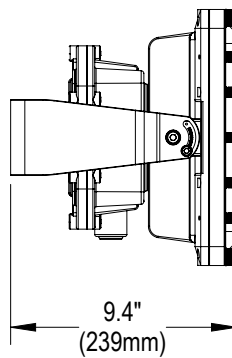
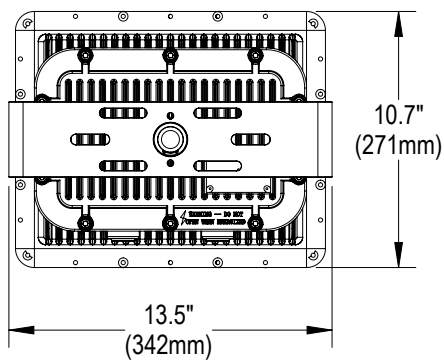
*Conduit and stanchion shown for illustration purposes only



Stanchion*

(#SN01-BK ordered separately)

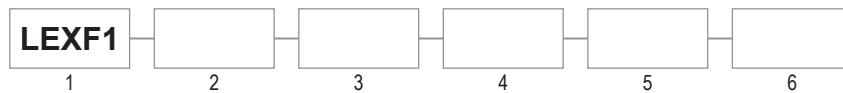
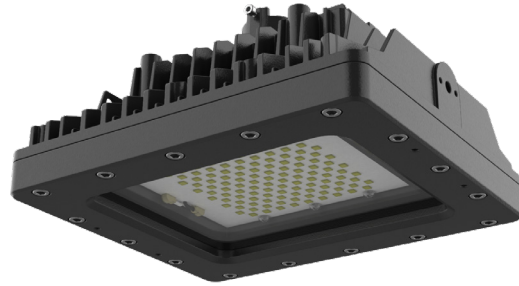
DIMENSIONS



1-800-854-0021 www.ldpi-inc.com
LDPI® is a registered trademark of LDPI, Inc. © LDPI, Inc.

Product design and specifications subject to change without notice.
Visit www.ldpi-inc.com for the most current version and photometric data. v.01.03.23

The LEXF1 is an explosion proof light fixture designed for use in environments where flammable vapors, gases or combustible dusts are ALWAYS present. This Low Bay area light fixture is suitable for use in high ambient temperature installations up to 65°C (149°F).



1 SERIES	2 SOURCE	3 VOLTAGE	4 CCT	5 OPTICS/BEAM	6 LENS
LEXF1	L1: 21W L2: 40W L3: 50W* L4: 60W *L3: 347-480VAC Only	V1: 120-277VAC (50/60Hz) V2: 347-480VAC (50/60Hz)* *V2: 50W Only	27: 2,700K 4: 4,000K 5: 5,000K	T2: Type II* T3: Type III* T5: Type V (110°) *Requires C lens	C: Clear Glass D: Diffused Glass
Product comes standard with: 3/4" NPT Pendant Hub • 10Kv surge protection built in • 3 Ft. wire whip factory installed. (includes 0-10V dimming leads)					

CERTIFICATIONS

UL844 / CSA-C22.2 No.137 (Hazardous)
 CI D1, Grps B,C,D
 CI D2, Grps A,B,C,D
 CII D1, Grps E,F,G
 CII D2, Grps F,G
 CIII
 Simultaneous Presence
 Paint Spray Listed
 T Code: See table below
 UL1598 / CSA-C22.2 No.250 (Wet/Damp)
 UL1598A (Marine Outside)
 -40°C to 65°C Ambient (L1-L3)
 -40°C to 64°C Ambient (L4)
 IP66 & IP67 & IK08
 CRI Ra>70
 Lumen Maintenance (L70) >60,000 hrs. (reported)
 FCC

CONSTRUCTION

Copper-free aluminum housing
 Clear or frosted tempered glass lens
 Powder coat black
 Single 3/4" NPT Hub / Pendant Mount
 Weight: 12 lbs.
 All exposed fasteners are stainless steel

ELECTRICAL

120-277 / 347-480VAC
 10Kv surge protector built in - Standard
 3Ft. Wire Whip - Standard, Factory Installed

FEATURES

High Lumen output up to 150 Lm/W
 Thermal shock and impact resistant glass lens
 Anti-corrosion housing tested 1,000 hrs.
 Mounting options available: Pendant, Yoke, Stanchion
 5 Year Warranty

PERFORMANCE

Source	Voltage (VAC) 50/60Hz	Input Current (A)	Wattage (W)	CCT	Lumens* (Lm)		
					T2	T3	T5 (Clear / Diffused)
L1	120-277	.18 - .08	21	2,700K	3150	2960	3280 / 2470
				4,000K	3270	3130	3400 / 2760
				5,000K	3360	3210	4220 / 2820
L2	120-277	.33 - .14	40	2,700K	5830	5450	6040 / 4860
				4,000K	5940	5270	6250 / 5050
				5,000K	6160	5990	6500 / 5200
L3	347-480	.14 - .10	50	2,700K	6760	6400	7050 / 5690
				4,000K	6970	6450	7290 / 5880
				5,000K	6950	6520	7180 / 5880
L4	120-277	.50 - .21	60	2,700K	7600	7250	8060 / 6480
				4,000K	7990	7470	8380 / 6770
				5,000K	8110	7840	8510 / 7130

T-Code Summary					
Ambient Operating (°C)		-40°C to 65°C		64°C	
Optimal Operating (°C)		25°C			
	21W	40W	50W	60W	
CID1	T6	T6	T6	T5	
CID2	T4A	T4	T4A	T4	
CIID1	T6	T6	T6	T5	

*Nominal values

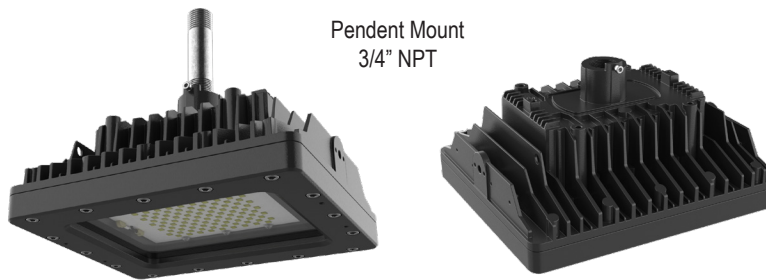
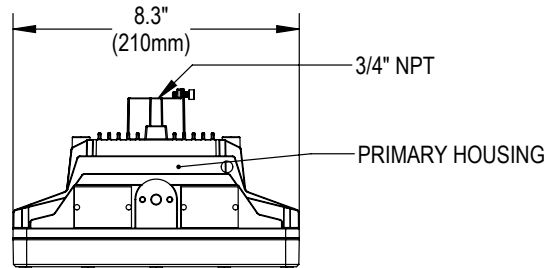
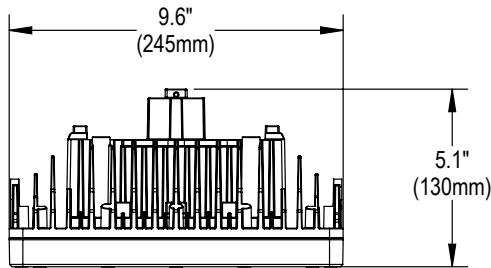
LEXF1

EXPLOSION PROOF

Chemical Processing • Grain Processing • Metals & Mining • Oil / Gas • Water Treatment



DIMENSIONS



Pendent Mount
3/4" NPT

ACCESSORIES - Field Installed (Order Separately)			
Part Number	Description		
PB02-BK	Yoke Mount Kit (Yoke Angle Adjustable) Includes aluminum yoke and mounting hardware Fasteners (SS316) Angle Adjusters (SS304)		
WG04*	Wire Guard (SS304) Includes wire guard and (4) M4 screws		
SN01-BK*	Slip Fitter Mount Bracket (Powder Coated Black) Fits 2 3/8" (60mm) Outside Diameter Stanchion Includes SS316 Hardware	 Note: PB02-BK is required if ordering SN01-BK	

* Note: Stainless steel accessories not suitable for use in paint spray applications



1-800-854-0021 www.ldpi-inc.com
LDPI® is a registered trademark of LDPI, Inc. © LDPI, Inc.

Product design and specifications subject to change without notice.
Visit www.ldpi-inc.com for the most current version and photometric data. v.01.22.24

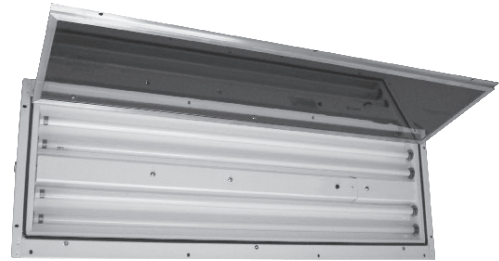


SLIMLIGHT

HAZARDOUS - BOOTH

Industrial • Paint and Powder Booths • Blast Booths • Prep, Inspection, Sanding Areas

The Slim Light Series features a low profile housing that is only 2 1/4" thick maximizing the available space allowed for your paint spray booth. The Slim Light Series is available in lengths of 3 & 4' with 2, 4 or 6 lamp options. The 3' fixtures are available in T8 25 watts. The 4' fixtures are available in 32 and 54 watts T5HO, T8 or T8HLO. This series provides a hinged front access door with a paint spray cutoff switch when opened. Must be mounted hinge side up when wall mounted. LAMPS SOLD SEPARATELY.



SERIES	MODEL #	DESCRIPTION	OPTIONS
Slim Light 3 Ft.	390320-3613	T8 25W, 2 Lamp	EM: Battery/Driver Backup (90 Min.) T8 - 2 & 4 Lamp fix. only (Not available for model# 390360-3546) Wire whip
	390340-3546	T8 25W, 4 Lamp	
	390360-3546	T8 25W, 6 Lamp	
Slim Light 4 Ft.	390420-3613	T8 32W, 2 Lamp	EM: Battery/Driver Backup (90 Min.) T8/T8HLO only HSR: High Performance Specular Reflector (440 T8 and T8HLO only) HWR: High Performance White Reflector (440 T8 and T8HLO only)
	390420-6975	T8 32W HLO, 2 Lamp	
	390420-3265	T5 54W HO, 2 Lamp	
	390440-3546	T8 32W, 4 Lamp	
	390440-6747	T8 32W HLO, 4 Lamp	
390440-4843	T5 54W HO, 4 Lamp		
Slim Light 4 Ft. 6 Lamp	390460-3546	T8 32W, 6 Lamp	EM: Battery/Driver Backup (90 Min.) T8/T8HLO only
	390460-7059	T8 32W HLO, 6 Lamp	
	390460-3265	T5 54W HO, 6 Lamp	

LISTINGS

UL 844
CSA 22.2 No. 137.0
Paint Spray Listed
UL 1598 Wet / Damp
CSA 22.2 No. 250.0
Class I D2 Groups A,B,C,D
Class II D2 Groups F,G
T3C 160°C
40°C ambient rating

FEATURES

20 gauge steel construction with white powder coat housing which creates a durable, highly reflective finish. A hinged front access door provides convenient access, and the 2 1/4" depth minimizes the space needed.

LENS

3/16" clear tempered glass.

ELECTRICAL

Paint spray cutoff switch in the front door frame.
Available in: 3 Ft. 25 watt T8 and 4 Ft. 32 and 54 watt T8, T8HLO or T5HO
Voltages of 120, 277, 347 and 480 Volts at 50/60Hz

OPTIONS

EM: Battery/Driver Backup (90 Min.) 120V & 277V, U.S. ETL/UL only.

See options above for specific availability

5902: 8 Ft. 5-wire whip

HSR: High performance specular reflector (only available on 390440 T8 and T8HLO)

HWR: High performance white reflector (only available on 390440 T8 and T8HLO)

NOTE

Normally open magnetic switches are intended to be used to trigger a relay (furnished by others) which disables the paint system. Because of the small capacity of the switch a solid state relay is recommended. It may be desired by others to utilize a separate power supply to segregate the relay (furnished by others) from the lighting power supply. The magnetic switch IS NOT designed to directly control light operation! The magnetic switch is rated for 10 watts resistive at a maximum of 300 VAC.

CAUTION



Overloading the switch circuits WILL cause failure.

LDPI, Inc. recommends having a certified electrician/engineer review loads to ensure that overloading of switch does not occur.



SLIMLIGHT

HAZARDOUS - BOOTH



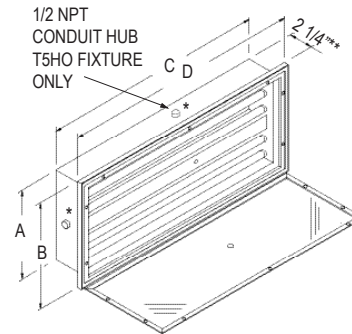
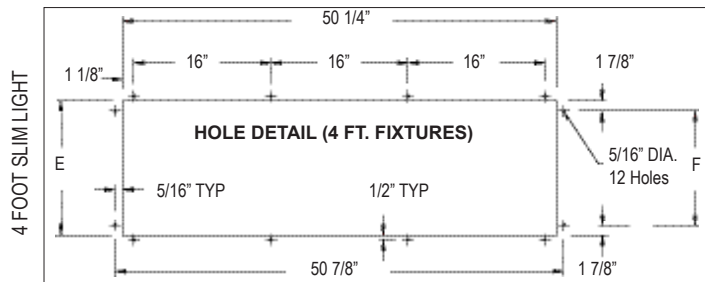
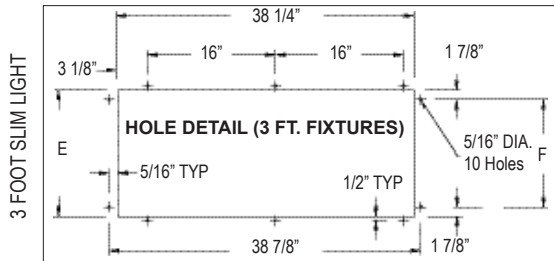
Industrial • Paint and Powder Booths • Blast Booths • Prep, Inspection, Sanding Areas

DIMENSIONS AND MOUNTING

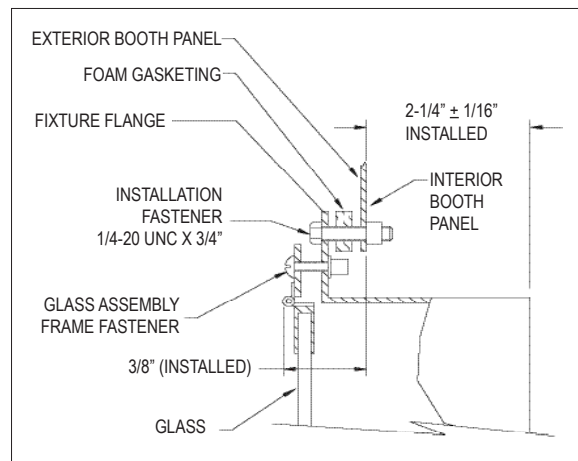
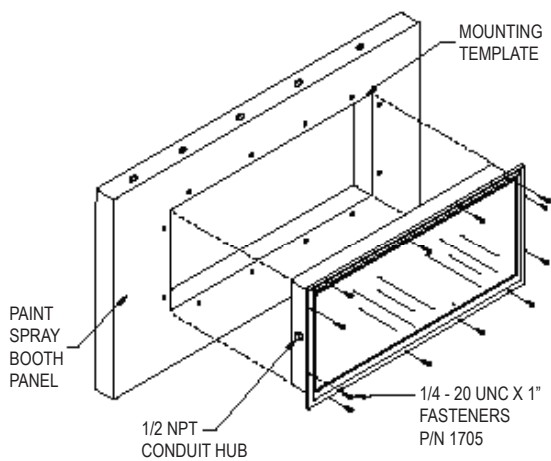
TYPE	E	F
2 LAMP	10 3/4"	7"
4 LAMP	15 3/4"	12"
6 LAMP	20 3/4"	17"

TYPE	MODEL	A	B	C	D
3 FT. 2 LAMP	390320	9 1/2"	13"	38"	39-7/8"
3 FT. 4 LAMP	390340	14 1/2"	18"	38"	39-7/8"
3 FT. 6 LAMP	390360	19 1/2"	23"	38"	39-7/8"
4 FT. 2 LAMP	390420	9 1/2"	13"	50"	51-7/8"
4 FT. 4 LAMP	390440	14 1/2"	18"	50"	51-7/8"
4 FT. 6 LAMP	390460	19 1/2"	23"	50"	51-7/8"

NOTE: LIGHT FIXTURE'S GLASS FRAME EXTENDS 3/8" INTO BOOTH WHEN MOUNTED IN BOOTH PANEL.



* Hub Locations
** (T5HO EM fixture is 3 1/2" deep)



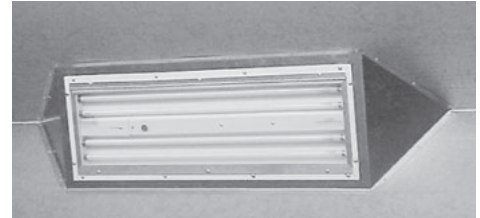


SLIMLIGHT

HAZARDOUS - BOOTH - CORNER/HIP MOUNT

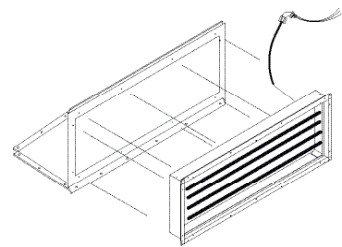
Industrial • Paint and Powder Booths • Blast Booths • Prep, Inspection, Sanding Areas

Horizontal or Vertical Mounting Corner/Hip Light Kit
Corner or Hip Mount Kit (PN 4714)
For use with 390440J-3546 Slim Light fixture ONLY.
FIXTURE SOLD SEPARATELY



Corner Light Mounting Option

The following is an acceptable method of installing panel mounted fixtures into the corner of a paint spray booth. Can be installed vertically in a corner, or horizontally in the hip of the booth. Includes all components required to install kit and route wiring conductors out of booth.



FEATURES

Part Number: 4714
To reduce shadowing, corner or hip lighting is ideal.
Shipping weight: 14#

KIT

- 18 gauge galvanized panel
Kit (delivered unassembled) Includes:
- Self tapping screws to mount panel to booth
 - Bolts/Nuts to mount fixture to panel.
 - Wire whip pre-wired to fixture.
 - (4) feet of 1/2" Liquid-Tite Flexible conduit
 - 90° Flex connector to exit booth
 - Straight flex connector to secure flex to fixture
 - (1) Tube of caulk to seal around panel and fixture perimeter

REQUIREMENTS

For use with the 390440J-3546 Fixture only. (Fixture Sold Separately)

Panel construction must meet the requirements of NFPA 33 Chapter 3, "Construction and Design of Spray Areas, Spray Rooms, and Spray Booths."

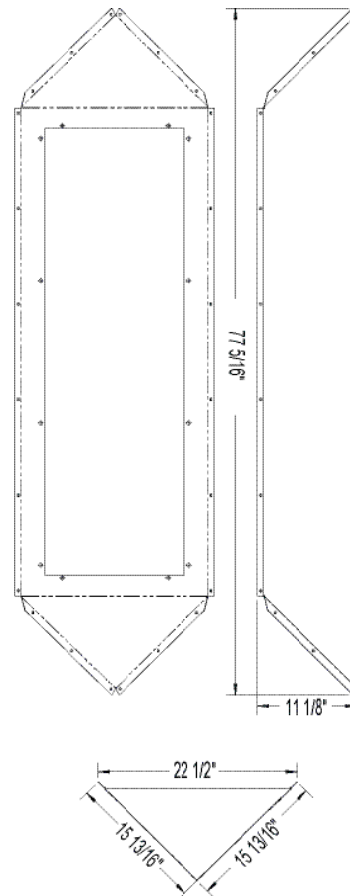
Fixture installation wiring to meet the requirements of NFPA 33 Chapter 4, "Electrical and Other Sources of Ignition."

OPTIONS

Powder Coat Finish

NOTES

Mounting requires drilling 7/8" hole in booth wall or ceiling to route flex conduit out of booth.
All wiring must be performed by a certified electrician and in accordance with all national and local electrical codes and regulations.





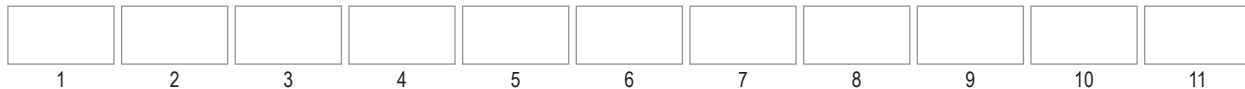
LE155R

ORDINARY LOCATION - REMOTE MOUNT

Industrial • Booth Lighting • Task Lighting • Commercial & Institutional Facilities

The LE155R is designed and listed for ordinary locations and is ideal for a fully customized approach to your lighting needs. The modularity and compact size of this product make this the perfect choice for custom installs. This product is ideal for task and overhead applications. Compact design with adjustable Light Bar Modules allows for focusing the light to illuminate the task.

Features a remote driver box that houses the driver(s), with a low voltage cable run to each Light Bar Module. Individual Light Bar Modules are available in 2, 4, 6, or 8 ft. lengths and are adjustable (120°). Light Bar Modules are easily surface mounted to any flat surface or structure. This flexibility allows for multiple light bar configurations to illuminate any application.



1 SERIES	2 POWER	3 VOLTAGE	4 DIMMING	5 CCT	6 LENS	7 LENGTH	8 MODULES
LE155R	S: Standard H: High *See Performance Table	V1: 120-277VAC	Blank: None D1: 0-10V D2: DALI	3: 3000K 4: 4000K 5: 5000K	C: Clear D: Diffused	2: 2 Ft. 4: 4 Ft. 6: 6 Ft.	1: 1 2: 2 3: 3 4: 4
9 THROUGH-FEED	10 CORD	11 OPTIONS					
Blank: None TF: Through-Feed Wiring <i>(See table for length options)</i>	CP0: Cord 5.5 Ft., 16/3 SOOW (.38 Dia.), 600V, 90°C / Plug: None CP1: Cord 6 Ft., 16/3 SOOW (.38 Dia.), 600V, 105°C / Plug: NEMA L5-15P CP2: Cord 6 Ft., 16/3 SOOW (.38 Dia.), 600V, 105°C / Plug: NEMA L7-15P CP3: Cord 6 Ft., 16/3 SOOW (.38 Dia.), 600V, 105°C / Plug: NEMA 5-15P	EM: Battery/Driver Backup (90Min.) UL924 SP: 10Kv Surge Protector WC: Wireless Control OC: Occupancy Sensor					

CERTIFICATIONS

UL1598
CSA 22.2 No. 250.0
UL8750
40°C Ambient Rating

FEATURES

Sleek
Instant On, Energy Savings
Remote Mount - Flexible Layout
Adjustable Module Angle (120°)

CONSTRUCTION

20 Gauge Steel and Aluminum Housing
Powder Coat Black Finish
Polycarbonate Lens
Clear or Diffused Impact Resistant Lens

PERFORMANCE

*See Performance Table

THROUGH FEED (TF) CABLE OPTIONS

TF	Length	LDPI P/N
TF-10	10 Ft.	17034-10
TF-15	15 Ft.	17034-15
TF-25	25 Ft.	17034-25
TF-50	50 Ft.	17034-50

DALI DIMMING (TF) CABLE OPTIONS

TF	Length	LDPI P/N
TF-10	10 Ft.	15975
TF-15	15 Ft.	16281
TF-25	25 Ft.	15976
TF-50	50 Ft.	15977
	HOMERUN	15978

Notes -

Through-Feed (Daisy Chained) & Low Voltage Cables:

- *Separate line item for all through-feed (TF) cables
- * Maximum 4 modules to be interconnected

LOW VOLTAGE INTERCONNECT CABLES 2 POLES, 18GA (LE155R ONLY)

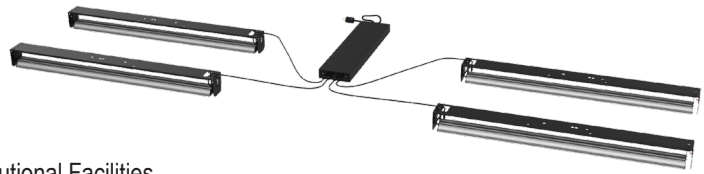
P/N	Length
16892-5	5 Ft.
16892-10	10 Ft.
16892-15	15 Ft.
16892-20	20 Ft.
16892-25	25 Ft.
16892-50	50 Ft.



LE155R

ORDINARY LOCATION - REMOTE MOUNT

Industrial • Booth Lighting • Task Lighting • Commercial & Institutional Facilities



PERFORMANCE

# of Modules	Power	2 Ft. Fixture					4 Ft. Fixture					6 Ft. Fixture				
		Watts	Input Current		Lens		Watts	Input Current		Lens		Watts	Input Current		Lens	
			120V	277V	Diffused	Clear		120V	277V	Diffused	Clear		120V	277V	Diffused	Clear
			Amps		Lumens			Amps		Lumens			Amps		Lumens	
1	S	28	0.23	0.10	3140	3490	55	0.48	0.22	6280	6990	84	0.70	0.30	9410	10380
	H	35	0.29	0.13	3910	4350	70	0.6	0.27	7820	8700	107	0.89	0.39	11830	13040
2	S	55	0.46	0.20	6280	6990	110	0.94	0.42	12560	13970	164	1.37	0.59	18840	20760
	H	70	0.58	0.25	7820	8700	140	1.19	0.53	15640	17400	209	1.74	0.75	23460	25850
3	S	83	0.69	0.30	9420	10480	165	1.40	0.62	18830	20960	244	2.04	0.88	28250	31130
	H	105	0.88	0.38	11730	13050	210	1.77	0.78	23460	26100	311	2.59	1.12	35190	38780
4	S	110	0.92	0.40	12550	13970	220	1.85	0.81	25110	27940	325	2.70	1.17	37670	41510
	H	140	1.17	0.51	15640	17400	280	2.35	1.03	31280	34800	413	3.44	1.49	46920	51710

Note: Lumen output and wattages shown for 5000K CCT

DIMENSIONS

