



ABC Series

LED High Bay Luminaire

Ideal for high bay industrial and commercial buildings

- Lumen packages from 10,000–48,500
- Supremely compact—up to 50% smaller and lighter
- Replace 175W–450W HID and four to eight lamp T5/T8 fixtures

Options include:

- Daintree® Controls
- Integrated EMBB (emergency battery backup)
- BAA/TAA

ProLine®

CONSTRUCTION

| | |
|-------------------|---|
| Housing: | Metal |
| Lens: | Polycarbonate diffused |
| Reflector: | White highly reflective polycarbonate |
| Paint: | Powder coat painted housing, no glass in housing or lenses |
| Weight: | <ul style="list-style-type: none"> • 6lbs (2.7kg) for up to 24k lumen • 10lbs for 30 and 36k lumen • 20lbs for 48k lumen |

PERFORMANCE

| | |
|----------------------|---|
| Distribution: | <ul style="list-style-type: none"> • 120°, 90° with open optic • 120°, 90° with diffused lens • 55°, 30° with texture diffused lens, 30k lumen and higher • 120°, 90°, 55°, 30° with clear lens, 30k lumen and higher |
| Lumens: | 10,000 – 48,000 lumens |
| Efficacy: | 143–160 LPW typical |
| CCT: | 4000K, 5000K |
| CRI: | 70 & 80 CRI |

ELECTRICAL

| | |
|--|---|
| Input Voltage: | 120–277V, 347V, or 480V |
| Input Frequency: | 50/60 Hz |
| LED Driver Type: | Designed to exceed 100,000hrs of operation at worst possible rated conditions |
| Power Factor (PF)*: | >0.9* |
| Total Harmonic Distortion (THD)*: | <20%* |
| Surge Protection: | <ul style="list-style-type: none"> • Tested per ANSI C136.2-2015 • 6kV surge protection, standard for most SKUs • 3kV surge protection, Lumen Output '10' & '12' |
| EMI: | FCC CFR Title 47 Part 15, Class A |

* PF and THD may vary with options

CONTROLS

| | |
|------------------|---|
| Dimming: | 0–10V, 10% dimming |
| Controls: | High-end trim, occupancy and ambient light detection with dimming available. Wireless Daintree® options available |
| Listing: | DLC 5.1 LLC: Integrated/embedded networked lighting controls, luminaire-level lighting control (LLLC) |

LUMEN AMBIENT TEMPERATURE

| TYPE | TEMPERATURE RATE |
|------------------------------|---|
| OPERATING TEMPERATURE | –30°C to +50°C (–22°F to 122°F) - 18,000lms and below –30°C to +45°C (–22°F to 113°F) for 24,000lms –30°C to +40°C (–22°F to 104°F) for 30,000lms and above |
| STORAGE TEMPERATURE | –40°C to +70°C (–40°F to 158°F) |

LUMEN MAINTENANCE

| | |
|-------------------------|------------|
| LXX(10K) @ Hours | 100,000 HR |
| L70 | |

MOUNTING

- **Typical Mounting:** Standard Rod/Chain/Cable mount ready. Surface and Pendant mount optional.
- **Standard:** knockout access (no cord, no plug)
 - 6ft, 12ft, 15ft, 20ft Cord options
 - 15A, 20A, Straight or twist lock plug

PACKAGING

- Standard pack is job pack/bulk pack consisting of up to 72 fixtures in 2, 16 cell dividers stacked on a 44" x 48" pallet. Two Fixtures are placed in each divided cell for quick unload at a job site.
- Orders of <14 fixtures are typically single pack. Single Pack (i.e. for stocking)—Special Option 1PK. Sensor and corded options can be bulk packed or single packed.

DESIGN LIFE & WARRANTY

- **Reliability Testing:** Fixture components designed to exceed 100,000hrs of operation at the worst possible rated conditions. Complete system evaluated at extreme conditions and monitored during production.
- Please refer to the DLC QPL website for the latest and most complete information: <http://www.designlights.org/QPL>
- UL/cUL Listed
- **Current's Limited 5-year Warranty:** See website.



Ordering Information

ABC1

W

| PRODUCT ID | VOLTAGE | LUMEN OUTPUT | LED COLOR TEMP | OPTICS/LENS | CONTROLS | MOUNTING | CORD | PLUG | FINISH | OPTIONS |
|--|-------------------------------|--------------|--|--|--|------------------------------------|--|---|------------------------------|--|
| ABC1 = Albeo® Highbay ABC 1 st Gen | 0 = 120-277 V | 10 = 10,000 | 70+ CRI | Open Optic | QQ = No 0-10V Dimming | ST = Standard | K = Knockout | Q = None | W = White Powder Coat | Blank = No Special Options 1PK = Single Pack V1 ¹¹ = Adjustable lumens E20 ^{12, 13} = 20W integrated emergency battery pack, Certified in CA Title 20 MAEDBS. (Bodine BSL20B2) BAA = Buy American Act compliant |
| | 1 = 120 V ¹ | 12 = 12,000 | 47 = 4000K | 1Q = 120° No Lens | QV = 0-10V Dimming | SM = Surface Mount | A = 6 ft. 18ga black cord ⁹ | A = 15A Straight Plug ⁹ | | |
| | 4 = 277 V ¹ | 15 = 15,000 | 57 = 5000K | 9Q = 90° No Lens | Daintree® Networked: | 23 = 3/4" Pendant Mount Kit | B = 12 ft. 18ga black cord ⁹ | B = 20A Straight Plug ⁹ | | |
| | D = 347 V ¹ | 18 = 18,000 | 80+ CRI | Diffused Lens | NA = Occupancy & Ambient Light Sensor, w/ Continuous Dimming (full feature) | 41 = Y-Cable/Hook 5ft. | C = 15 ft. 18ga black cord ⁹ | C = 15A Twist Lock ⁹ | | |
| | 5 = 480 V ¹ | 24 = 24,000 | 48 = 4000K | 1D = 120° Diffused Lens | TQ ³ = Wireless Daintree® Enabled (no sensor) | 42 = Y-Cable/Hook 10ft. | D = 20 ft. 18ga black cord ⁹ | D = 20A Twist Lock ⁹ | | |
| | 30 = 30,000 | 58 = 5000K | 9D = 90° Diffused Lens | Daintree® EZ Connect: | 43 = Y-Cable/Hook 15ft. | | | | | |
| | 36 = 36,000 | | Textured Lens | DF = Occupancy & Ambient light sensor w/ Continuous Dimming | 44 = Y-Cable/Hook 20ft | | | | | |
| | 48 = 48,000 | | 5T ¹⁰ = 55° Textured Diffused Lens | Daintree® One⁵: | | | | | | |
| | | | 3T ¹⁰ = 30° Textured Diffused Lens (AISLE) | FB = Occupancy & Ambient Light Sensor with Continuous Dimming | | | | | | |
| | | | Clear Lens | 3rd Party Options: | | | | | | |
| | | | 1C ¹⁰ = 120° Clear Lens | QA ⁷ = Occupancy Sensor On/Off 360° LSXR, No External Wiring | | | | | | |
| | | | 9C ¹⁰ = 90° Clear Lens | QB ⁷ = Occupancy Sensor Continuous Dimming 360° LSXR | | | | | | |
| | | | 5C ¹⁰ = 55° Clear Lens | QP ⁷ = Daylight Sensor w/ occupancy On/Off LSXR, No External Wiring, Full Featured | | | | | | |
| | | | 3C ¹⁰ = 30° Clear Lens (AISLE) | | | | | | | |
| | | | WC ¹⁰ = Wide Parking Garage Optics | | | | | | | |



| 70 CRI @ 4000K OR 5000K CCT | | | | | | |
|-----------------------------|--------------------------|---------------|----------|----------------------|------------------|---------------------------------|
| LUMEN PACKAGE | TYPICAL DELIVERED LUMENS | TYPICAL POWER | | TYPICAL LPW 120-277V | MAX AMBIENT TEMP | TYPICAL LUMEN IN EMERGENCY MODE |
| | | 120-277V | 347/480V | | | |
| 10 | 9,900 | 62 | 64 | 160 | 50°C | 3200 |
| 12 | 12,000 | 78 | 79 | 154 | 50°C | 3080 |
| 15 | 15,000 | 107 | 105 | 152 | 50°C | 3040 |
| 18 | 18,000 | 126 | 124 | 143 | 50°C | 2860 |
| 24 | 23,600 | 161 | 159 | 147 | 45°C | 2940 |
| 30 | 29,700 | 190 | 188 | 156 | 40°C | 3120 |
| 36 | 35,500 | 236 | 234 | 150 | 40°C | 3000 |
| 48 | 48,500 | 313 | 310 | 155 | 40°C | 3100 |

Shown with "1Q" 120° No Lens Option

De-rate 5°C for "SM" Surface Mount Option

Add 7W for "E20" option and 10W for "E20" with 347/480V input. (Charging Load)

ORDERING NOTES:

- Specify single voltage if plug or sensor needed.
- Contact factory if 5-conductor cord is needed.
- T Wireless Control (no sensor) must use Discrete Voltage for all Lumen packages over 24,000Lm.
- Ambient light detection functionality must be turned on in the Daintree® EZ Connect app.
- Daintree® One devices can be customized and programmed with WHR1 remote.
- 40ft (12m) height, WHR1 IR Remote 93131632.
- 15-45ft (4.6-13.7m) mounting heights.
- 3-conductor cord. Dimming leads separate. Please contact factory if 5-conductor cord is needed.
- Specify discrete voltage for plug. Please see Voltage-Plug table for plug details and restrictions.
- Optic 1C, 9C, WC, 5T, 5C, 3T, and 3C, ONLY available with 30k lumen and above.
- Adjustable Lumen SKUs available, please see table on page 3.
- Emergency unit and 347/480VAC version not available with mounting SM and 23.
- Standard 4-wire cord available (L1, L2, N, G). Not with plugs.

NOTES:

See WHS20 spec sheet for default program parameters and occupancy detection patterns.

- Daintree® Wireless Controls can be upgraded over time for greater functionality.
- WHR1 Remote PN: 93131632
- Daintree® EZ Connect App can be downloaded on the Apple® App Store.
- 40ft (12m) mounting height.

CUSTOMER NAME

Project Name _____

Date _____ Type _____

Catalog Number _____

| EMERGENCY BATTERY BACKUP KIT ORDERED SEPARATELY | | |
|--|-------------------|--------|
| SKU# | DESCRIPTION | LUMENS |
| 93059499G | ASM2430 50° beam | 1750 |
| 93059500G | ASM2429 120° beam | 1650 |

NOTE: EMBB kit is only compatible with low voltage (120–277V)

| NEMA Plug Type | | | | |
|----------------|------------------|--------------------|------------------|---------------------|
| VOLTAGE | A (15A STRAIGHT) | B (15A TWIST LOCK) | C (20A STRAIGHT) | 20D (1A TWIST LOCK) |
| 120 | 5-15P | L5-15P | 5-20P | L5-20P |
| 277 | 7-15P | L7-15P | 7-20P | L7-20P |
| 347 | 24-15P | N/A | 24-20P | L24-20P |
| 480 | N/A | N/A | N/A | L8-20P |

| WIRE GUARDS | |
|--------------|--|
| ORDERING SKU | DESCRIPTION |
| 93077600G | Size 2 WIRE GUARD White Painted-5PK (30K and 36K lm only) |
| 93077602G | Size 3 WIRE GUARD White Painted-5PK (10K,12K,18K,24K and 48K lm) |

| CRI | LUMENS | CCT | OUTPUT MULTIPLIER |
|-------|------------|-------|-------------------|
| 70CRI | All Lumens | 5000K | 100% |
| | | 4000K | 100% |
| 80CRI | All Lumens | 5000K | 95% |
| | | 4000K | 93% |

| OPTIC LENS CODE | OPTIC DESCRIPTION | OUTPUT MULTIPLIER |
|-----------------|----------------------------|-------------------|
| 1Q | 120° No Lens | 100% |
| 1D | 120° Diffused Lens | 91% |
| 1C | 120° Clear Lens | 98% |
| 9Q | 90° No Lens | 96% |
| 9D | 90° Diffused Lens | 87% |
| 9C | 90° Clear Lens | 96% |
| 5C | 55° Clear Lens | 96% |
| 5T | 55° Textured Diffused Lens | 94% |
| 3C | 30° Clear Lens | 97% |
| 3T | 30° Textured Diffused Lens | 95% |
| WC | Wide Parking Garage Optic | 94% |

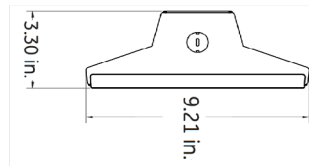
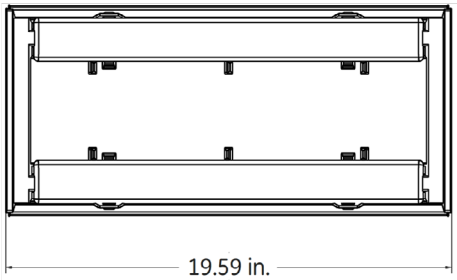
| ADJUSTABLE LUMEN POSITIONING | | |
|------------------------------|-------------------------|-------------------------|
| FAM POSITION | 12,000 MAX LUMEN LEVELS | 24,000 MAX LUMEN LEVELS |
| 10 | 12,000 | 24,000 |
| 9 | 12,000 | 24,000 |
| 8 | 10,200 | 20,400 |
| 7 | 8,520 | 17,040 |
| 6 | 7,680 | 15,630 |
| 5 | 6,960 | 13,920 |
| 4 | 5,880 | 11,760 |
| 3 | 5,640 | 11,280 |
| 2 | 3,720 | 7,440 |
| 1 | 3,600 | 7,200 |

| ADJUSTABLE LUMEN - SKU | | | | | |
|------------------------|----------------------|-----------|-----------|-------|-----|
| ORDERING SKU | DESCRIPTION | MIN LUMEN | MAX LUMEN | CCT | CRI |
| 93150764 | ABC1024571DQQSTKQWV1 | 7,200 | 24,000 | 5,000 | 70 |
| 93150765 | ABC1024471DQQSTKQWV1 | 7,200 | 24,000 | 4,000 | 70 |
| 93150766 | ABC1012571DQQSTKQWV1 | 3,600 | 12,000 | 5,000 | 70 |
| 93150767 | ABC1012471DQQSTKQWV1 | 3,600 | 12,000 | 4,000 | 70 |

| REPLACEMENT LENSES & OPTICS | | | | |
|-----------------------------|---------------------------------------|-------------------|---|--------|
| ORDERING SKU | ORDERING CAT # LOGIC | FUTURE CAT# LOGIC | DESCRIPTION | LUMEN |
| 93124932G | ABC1_D_KIT | 1D or 9D | Diffused Lens Only (2 Lenses) | 10–24K |
| 93137714 | KIT0158_ABC1_DIFF_LENS_KIT_50PC | 1D or 9D | Diffused Lens Only (Lenses for 25 Fixtures) | 10–24K |
| 93137715 | KIT0159_ABC1_DIFF_LENS_KIT_100PC | 1D or 9D | Diffused Lens Only (Lenses for 50 Fixtures) | 10–24K |
| 93137716 | KIT0160_ABC1_DIFF_LENS_KIT_250PC | 1D or 9D | Diffused Lens Only (Lenses for 125 Fixtures) | 10–24K |
| 93134986 | KIT0156_MLD_ABC1_COVER_REFL_90DEG_KIT | 9D or 9Q | 90° Optic (1 Reflector plate/fixture) | 10–24K |
| 93134885 | KIT0155_MLD_ABC1_COVER_REFL_KIT | 1D or 1Q | 120° Optic (1 Reflector plate/fixture) | 10–24K |
| 93075866G | ABC1 D LENS KIT | 1D or 9D | Diffused Lens Only (2 Lenses) *does not change beam angle | 30k+ |
| 93075867G | ABC1 C LENS KIT | 1C or 9C | Diffused Lens Only (2 Lenses) *does not change beam angle | 30k+ |
| 93075988G | ABC1 9 REFLECTOR OPTIC KIT | 9C or 9D | 90° Optic (2 White Reflectors) | 30k+ |
| 93075989G | ABC1 1 REFLECTOR OPTIC KIT | 1C or 1D | 120° Optic (2 White Reflectors) | 30k+ |
| 93117671G | ABC1 5T OPTIC KIT | 5T | Textured Diffused 55° Optic (2 Refractors) | 30k+ |
| 93075991G | ABC1 5C OPTIC KIT | 5C | Clear 55° Optic (2 Refractors) | 30k+ |
| 93117672G | ABC1 3T OPTIC KIT | 3T | Textured Diffused 30° Optic (2 Refractors) | 30k+ |
| 93075993G | ABC1 3T OPTIC KIT | 3C | Clear 30° Optic (2 Refractors) | 30k+ |
| 93146208 | ABV3 WC WIDE PARKING GARAGE OPTIC | WC | WC Lens (10 Lenses) | 30k+ |

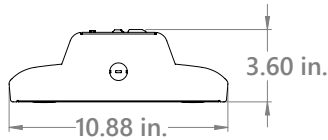
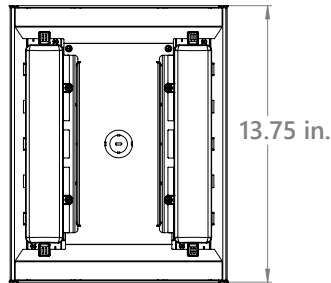
ABC SERIES HIGH BAY LUMINAIRE DIMENSIONS

Lumen 10–24K



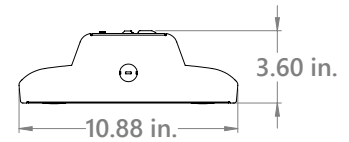
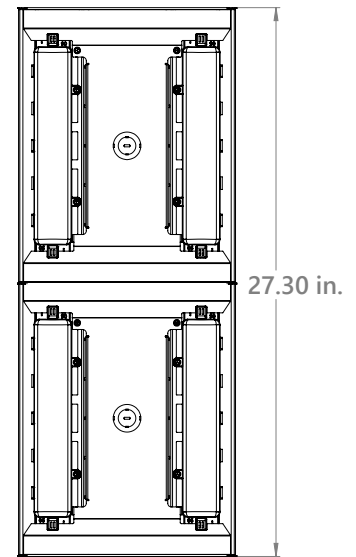
Weight: 6 lbs

Lumen 30–36K



Max Weight: 10 lbs

Lumen 48K



Max Weight: 20 lbs

PACKAGING

Standard pack is job pack/bulk pack consisting of up to 72 fixtures in 2,16 cell dividers stacked on a 44" x 48" pallet. Two Fixtures are placed in each divided cell for quick unload at a job site. Orders of <14 fixtures are typically single pack. Single Pack (i.e. for stocking)—Special Option 1PK. Sensor and corded options can be bulk packed or single packed.

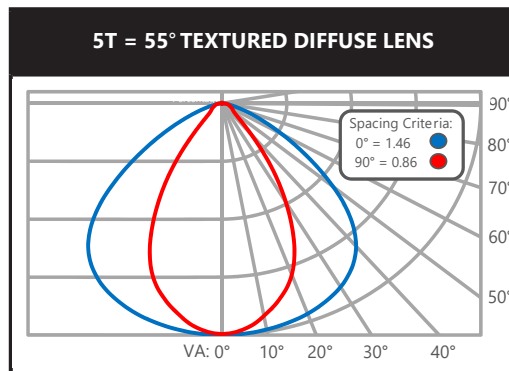
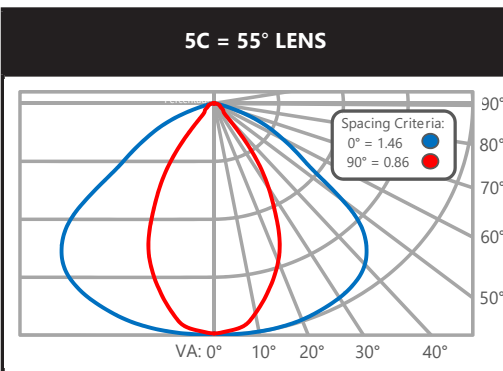
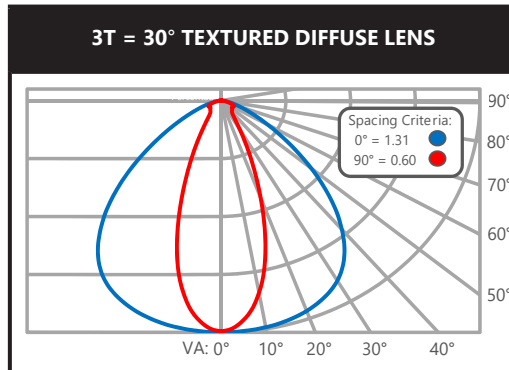
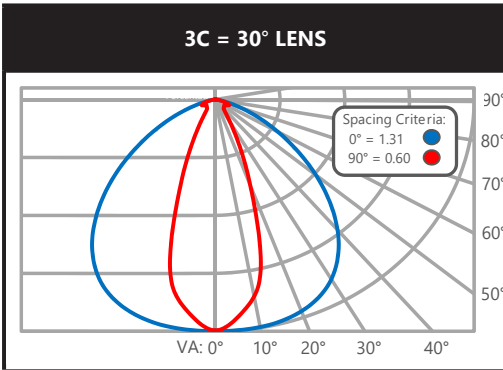
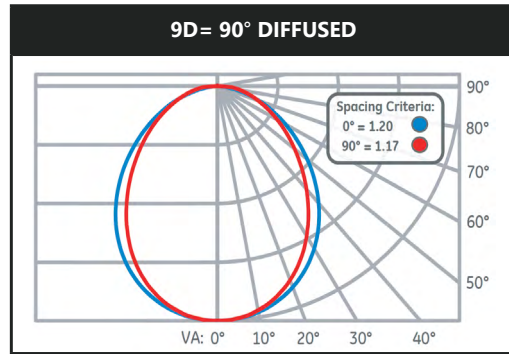
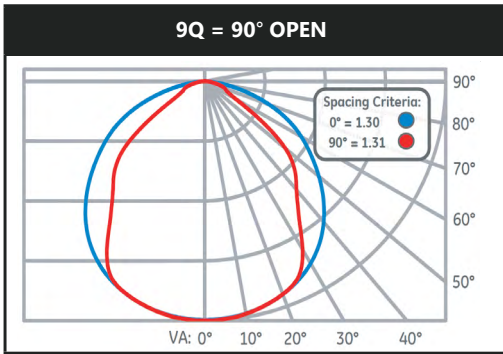
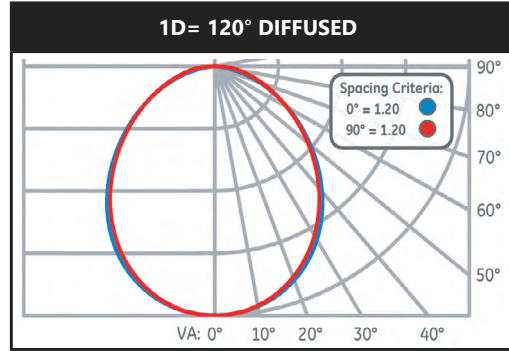
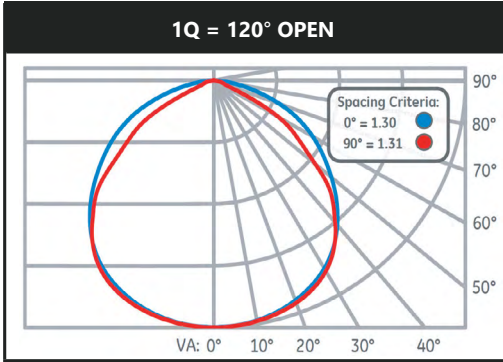
ABC SERIES HIGH BAY LUMINAIRE

CUSTOMER NAME

Project Name _____

Date _____ Type _____

Catalog Number _____



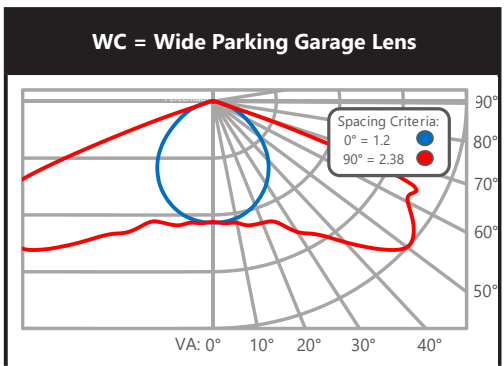
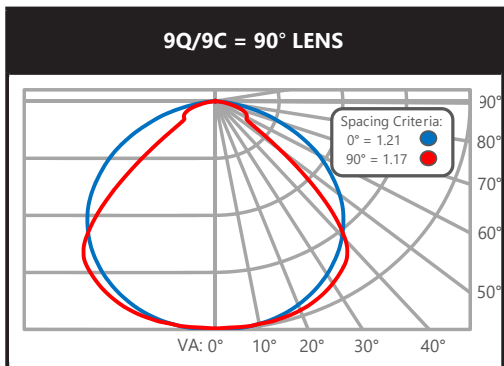
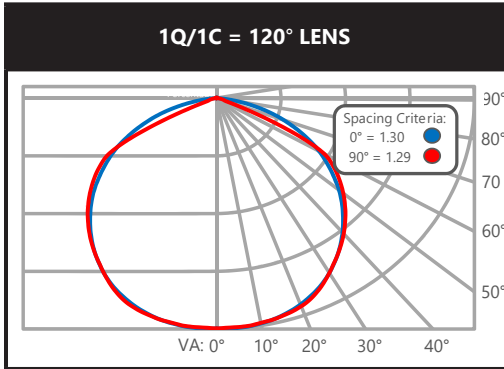
ABC SERIES HIGH BAY LUMINAIRE

CUSTOMER NAME

Project Name _____

Date _____ Type _____

Catalog Number _____



ABC Series

LED High Bay Luminaire

Mounting & Accessories

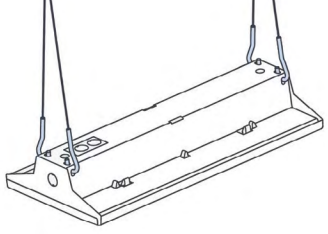
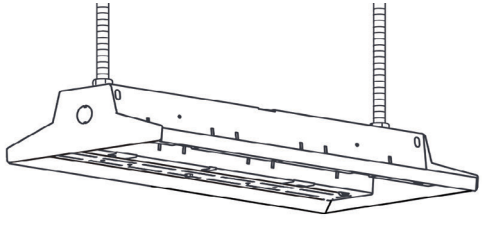
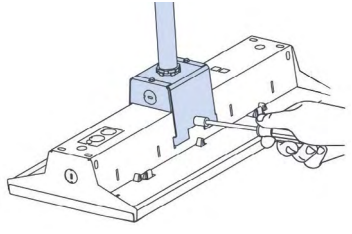
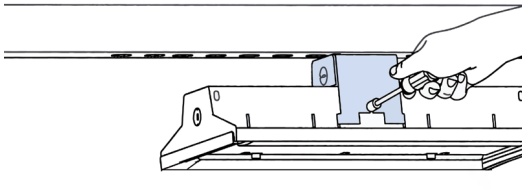
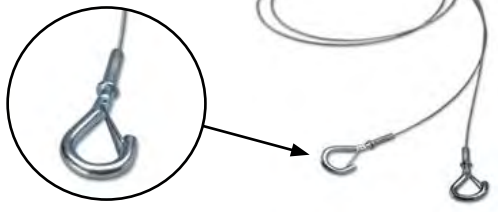
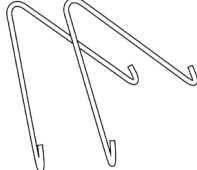
CUSTOMER NAME

Project Name _____

Date _____ Type _____

Catalog Number _____

ABC SERIES HIGH BAY LUMINAIRE

| MOUNTING OPTIONS | IMAGE | ORDER LOGIC CODE | ORDER LOGIC CODE |
|---|--|---|--|
| <p>Standard Chain/Cable Mount Available on all fixture configurations (chain not included). Y-Cable w/hook can be ordered as an accessory</p> |  | | |
| <p>Rod Mount/Standard Mount Available on all fixture configurations. Attaches to 1/2" threaded rod (rod and nuts not included)</p> |  | ST=Standard | Aftermarket: NA |
| <p>Pendant Mount (optional) Available on all fixture configurations Attaches to 3/4" threaded conduit (conduit not included).</p> |  | 23=3/4" Pendant Mount Kit | SKU: 93124931G |
| <p>Surface Mount (optional) Available on all fixture configurations Attaches to structural member in ceiling (hardware not included)</p> |  <p>NOTE: 5" distance between ceiling plane and bottom face of fixture; De-rate 5°C</p> | SM= Surface Mount | Description: 3/4" Surface Mounting Kit |
| <p>Standard Chain/Cable Mount Available on all fixture configurations (Chain not included). Y-Cable w/hook can be ordered as an accessory</p> |  | 41= Y-Cable/Hook 5 ft. 42= Y-Cable/Hook 10 ft. 43= Y-Cable/Hook 15 ft. 44= Y-Cable/Hook 20 ft. | 5ft Y-Cable/Hook: 93075756G 10ft Y-Cable/Hook: 93075552G 15ft Y-Cable/Hook: 93075553G 20ft Y-Cable/Hook: 93075554G 25ft Y-Cable/Hook: 93075555G Max Load: 200 lbs. per pair |
| <p>V-Clips w/ chains (optional). Use with Standard Mounting Option only. Order separately. Priced per pair. 3 ft length chains included.</p> |  | | SKU: 93146133 Description: AK-V-HANGER-KIT 30 DEG |